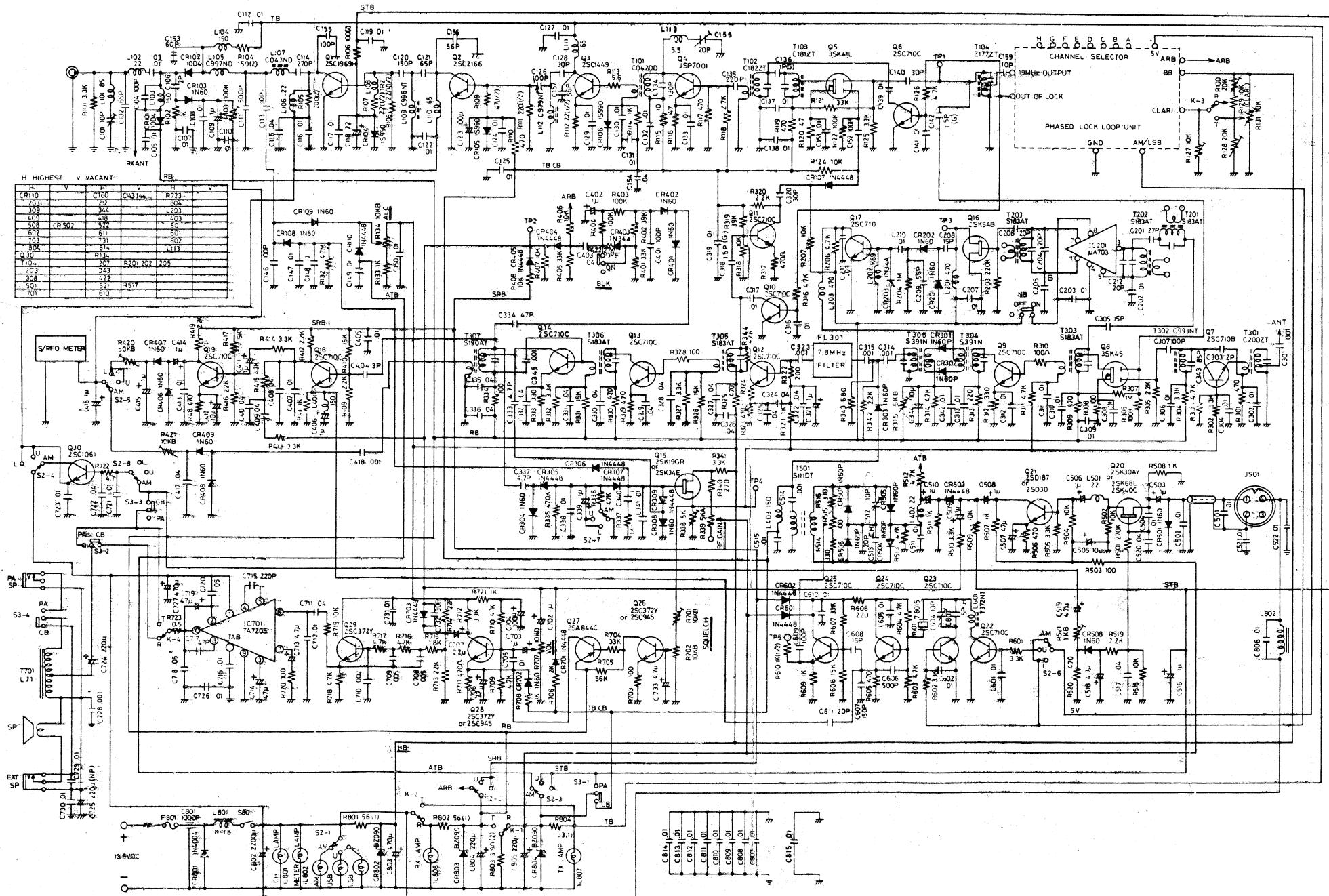


SCHEMATIC DIAGRAM



PLL Circuit For Expo Sidetalk 1000.1M.

PLL CIRCUIT

