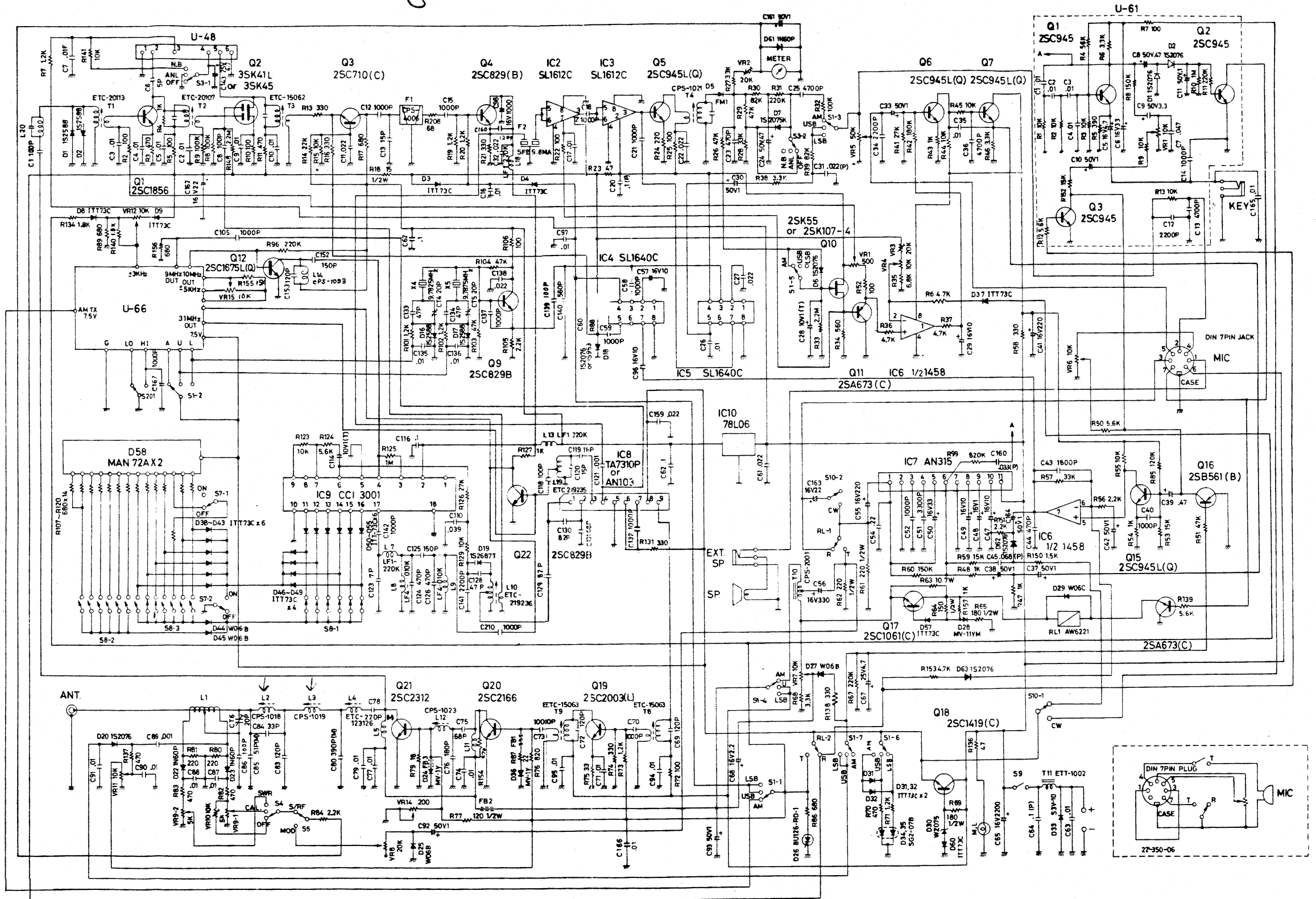


SCHEMATIC DIAGRAM

GlobePhone  
G.S-480.DX

GLOBE PHONE GS 480 DX



IC9 Pin 18 +455 kc when t