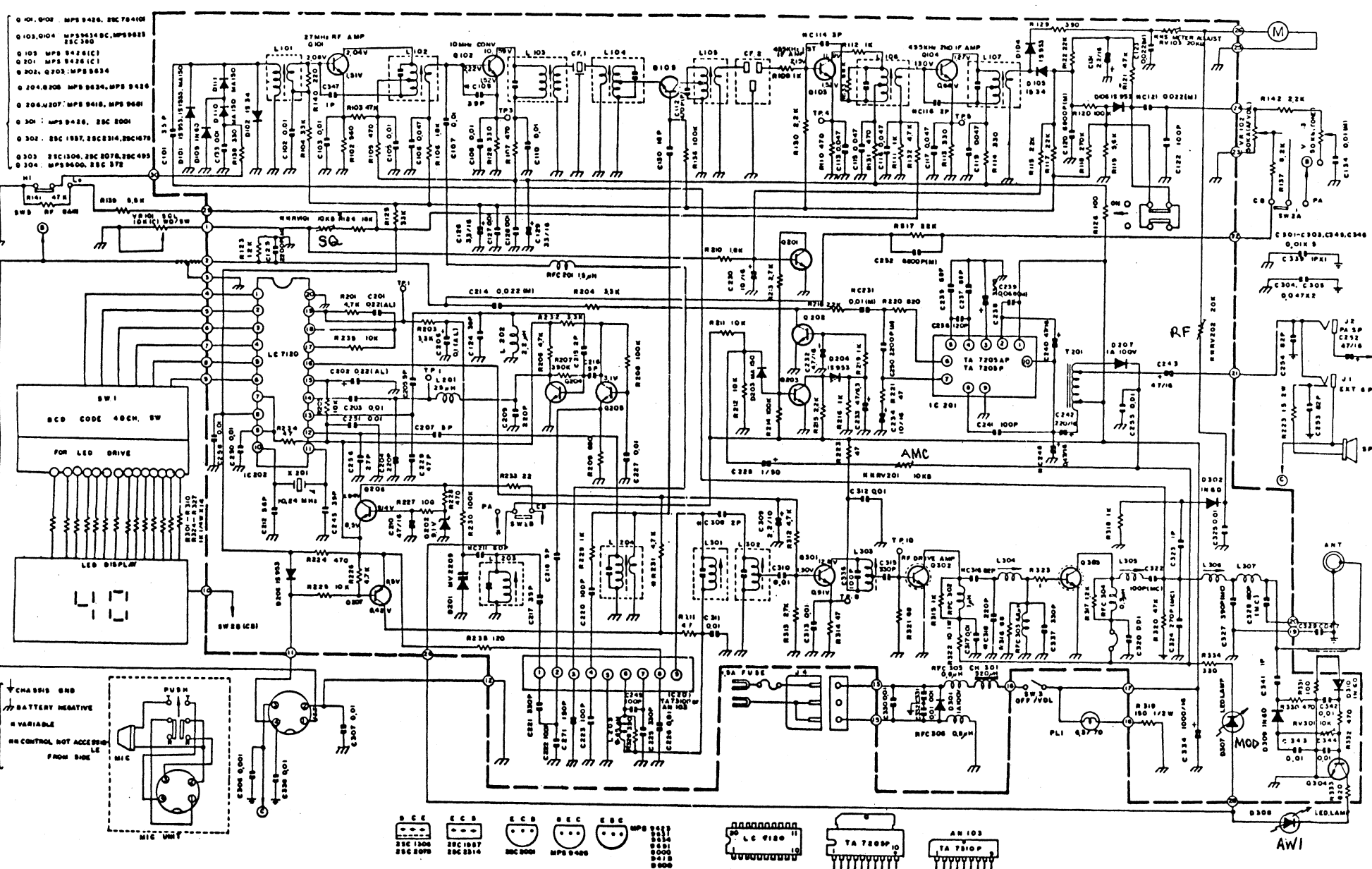


# SCHEMATIC DIAGRAM

MIDLAND 77-824C



# MIDLAND 77-824C WIRING DIAGRAM

