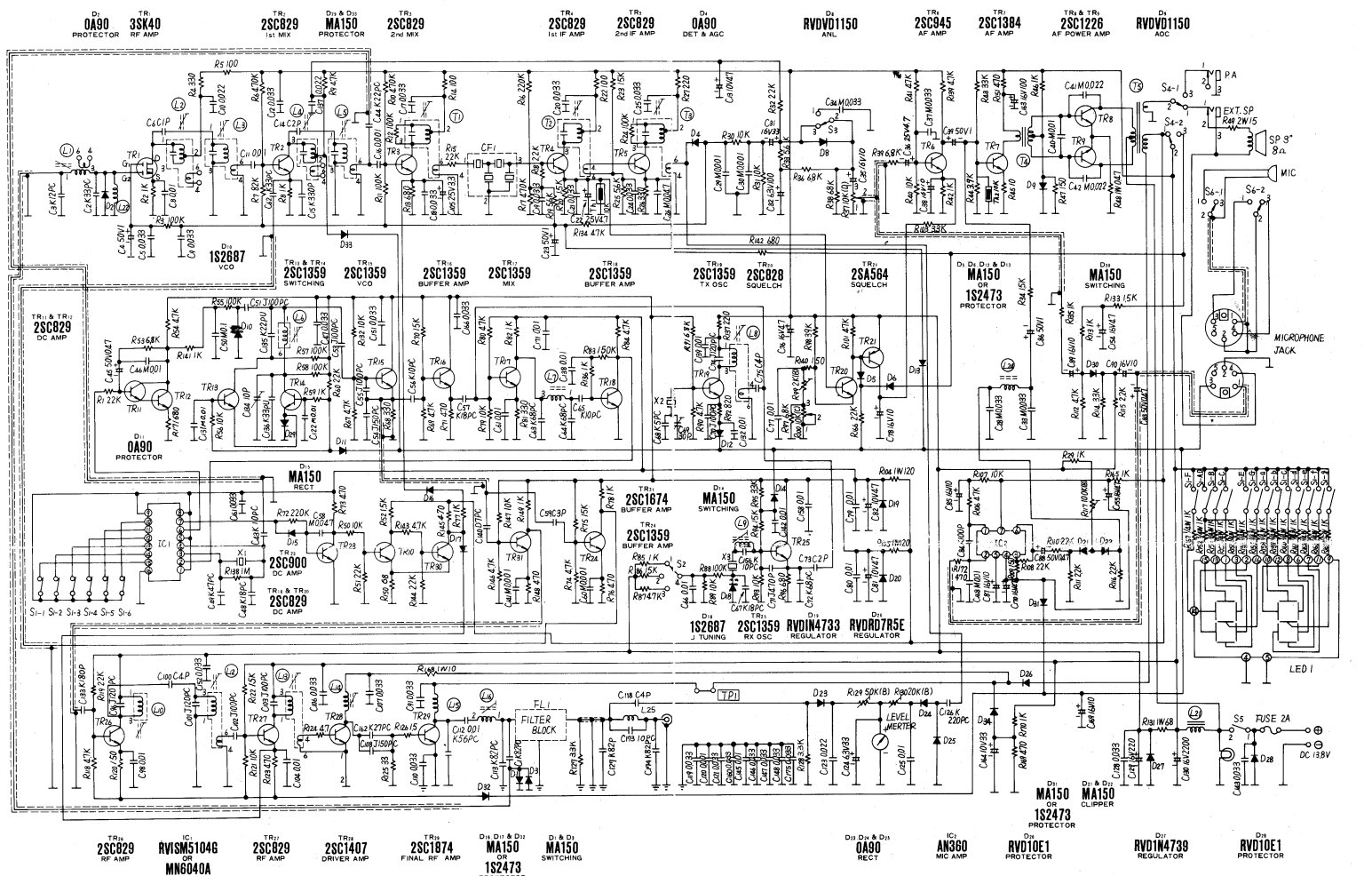
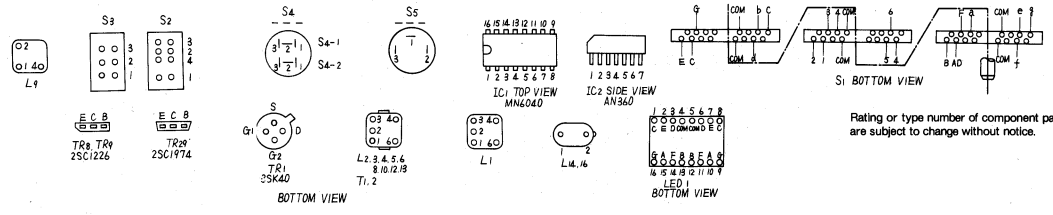


NATIONAL PANASONIC—SCHEMATIC DIAGRAM — RJ-3150 DM 352.



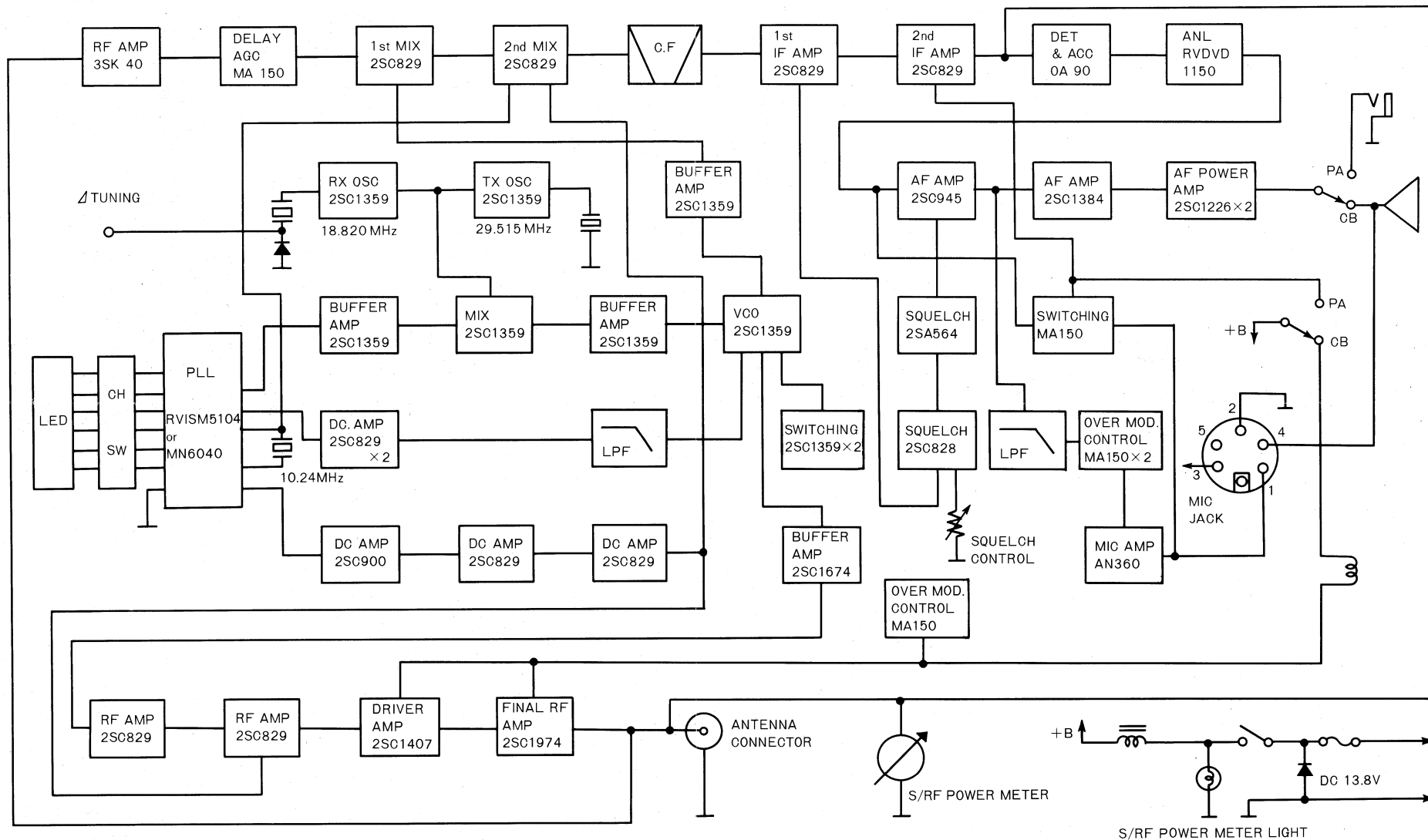
	2	3	4	5	6	7	8	9	10	11	12	13	14	15	16	17	18	19	20	21	22	23	24	25	26	27	28	29	30	31	32	33	34	35	36	37	38	39	40	41	42	43	44	45	46	47	48	49	50																																
C	45	46	47	48	49	50	51	52	53	54	55	56	57	58	59	60	61	62	63	64	65	66	67	68	69	70	71	72	73	74	75	76	77	78	79	80	81	82	83	84	85	86	87	88	89	90	91	92	93	94	95																														
R	1	171	53	54	55	56	57	58	59	60	61	62	63	64	65	66	67	68	69	70	71	72	73	74	75	76	77	78	79	80	81	82	83	84	85	86	87	88	89	90	91	92	93	94	95	96	97	98	99	100	101	102	103	104	105	106	107	108	109	110	111	112	113	114	115	116	117	118	119	120	121	122	123	124	125	126	127	128	129	130	131

- NOTES:**
- S1 CHANNEL SELECTOR "1 CH" POSITION INDICATED
 - S2 TUNING CONTROL SWITCH "0" POSITION INDICATED
 - S3 ANL SWITCH "OFF" POSITION INDICATED
 - S4 CB/PA SWITCH "CB" POSITION INDICATED
 - S5 POWER SOURCE SWITCH "OFF" POSITION INDICATED
 - S6 PUSE TO TALK SWITCH "RECEIVE" POSITION INDICATED



Rating or type number of component parts are subject to change without notice.

BLOCK DIAGRAM



Type of component parts are subject to change without notice.