

REALISTIC®

HAND HELD DYNAMIC MICROPHONE With Built-in Solid State Preamplifier

Catalog Number: 21-1171

SPECIFICATIONS



- Type : Dynamic microphone with pre-amplifier.
Hand held, with push-to-talk switch.
- Impedance : 3.3K at 1 kHz (10K Ω load).
- Output : -42 dB at 1 kHz (volume at maximum) = 6 millivolts.
- Frequency : 400-5,000 Hz \pm 6 dB.
- Directivity : Omni-directional.
- Cable : Coiled cord, terminated with 5-pin DIN type plug.
- Battery type: 7 volts mercury battery (Radio Shack Catalog Number 23-601 or equivalent).
- Accessories : Clip-hanger.....1
Screw.....2

This deluxe microphone incorporates a built-in pre-amplifier to assure high modulation levels. It utilizes a 2 stage transistorized amplifier specifically designed to provide communications type frequency response. It comes complete with a 5-pin DIN plug on the end of a coiled cord. The clip-hanger can be mounted in any convenient location with the screws provided.

The Microphone is designed for use with CB Transceivers (and other equipment) where the additional gain provided by the pre-amplifier may be helpful in maintaining maximum modulation level—and thus maximum talk power and signal “punch”. It can be used as a direct replacement in the following REALISTIC CB Transceivers, Catalog Numbers: 21-126/128/136/139/144/146/149. With 21-124, the DIN plug must be re-wired as follows: move wire from Pin 1 to Pin 2; move wire from Pin 4 to Pin 1; move wire from Pin 2 to Pin 4.

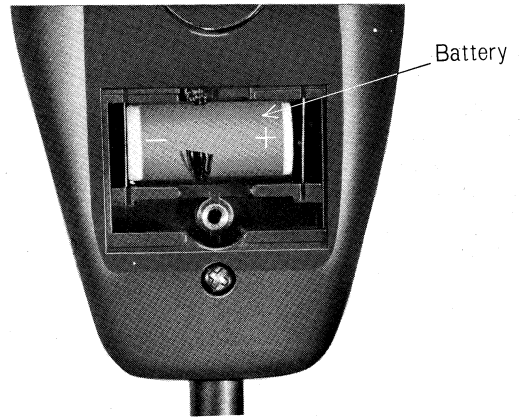
With some units on the market, it may be necessary to re-wire the DIN plug, or the Mic jack on the Transceiver. Use the information provided below to aid you in making the proper connections. If you have difficulty, check with a qualified Electronic Service Technician—take this instruction sheet and the Instruction Manual for your Transceiver.

FUNCTION/OPERATION OF MIC CONNECTOR PINS

Pin Number	Button Out (Receive)	Button In (Transmit)
1	Shield/Ground for Audio	Shield/Ground for Audio
2	Connected to + buss of Pre-amplifier	Floating free
3	Floating free	Grounded (to Pin 1)
4	Audio “hot”	Audio “hot”
5	Grounded	Floating free

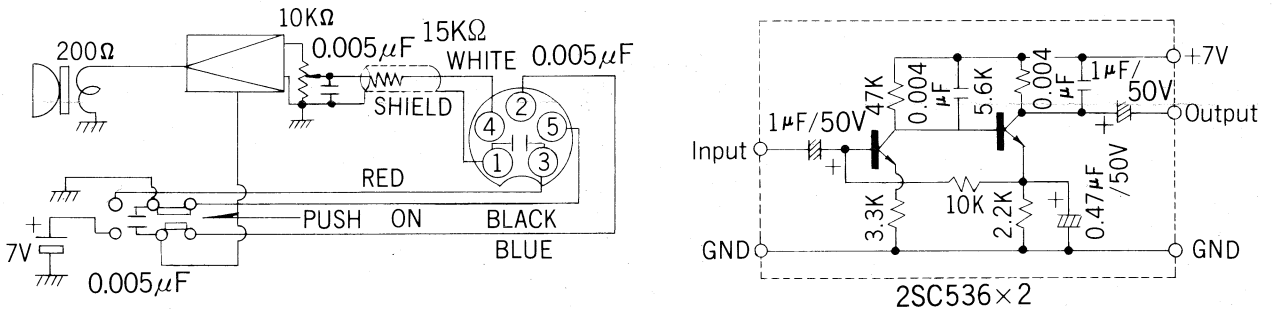
BATTERY INSTALLATION

To install the battery, turn the screw of battery compartment cover counter-clockwise, in the direction of the arrow. Insert a 7 volt mercury battery RADIO SHACK Catalog Number 23-601 or equivalent. Be sure to observe polarity when installing the battery.



OPERATION: Adjust Volume control on the back of the Microphone to a place where maximum modulation is obtained—but without **over-modulation**. Remember that approximate setting and use it during transmissions. Don't turn up the Volume excessively, or overmodulation and splatter may result.

SCHEMATIC DIAGRAM



RADIO SHACK LIMITED WARRANTY

This equipment is warranted against defects for 90 days from date of purchase. Within this period, we will repair it without charge for parts and labor. Simply **bring your sales slip** as proof of purchase date to any Radio Shack store. Warranty does not cover transportation costs. Nor does it cover equipment subjected to misuse or accidental damage.

This Warranty gives you specific legal rights and you may also have other rights which vary from state to state.

We Service What We Sell

RADIO SHACK A DIVISION OF TANDY CORPORATION

U.S.A.: FORT WORTH, TEXAS 76102

CANADA: BARRIE, ONTARIO, CANADA L4M 4W5

TANDY CORPORATION

AUSTRALIA
280-316 VICTORIA ROAD
RYDALMERE, N.S.W. 2116

BELGIUM
PARC INDUSTRIEL DE NANINNE
5140 NANINNE

U. K.
BILSTON ROAD
WEDNESBURY, STAFFS WS10 7JN