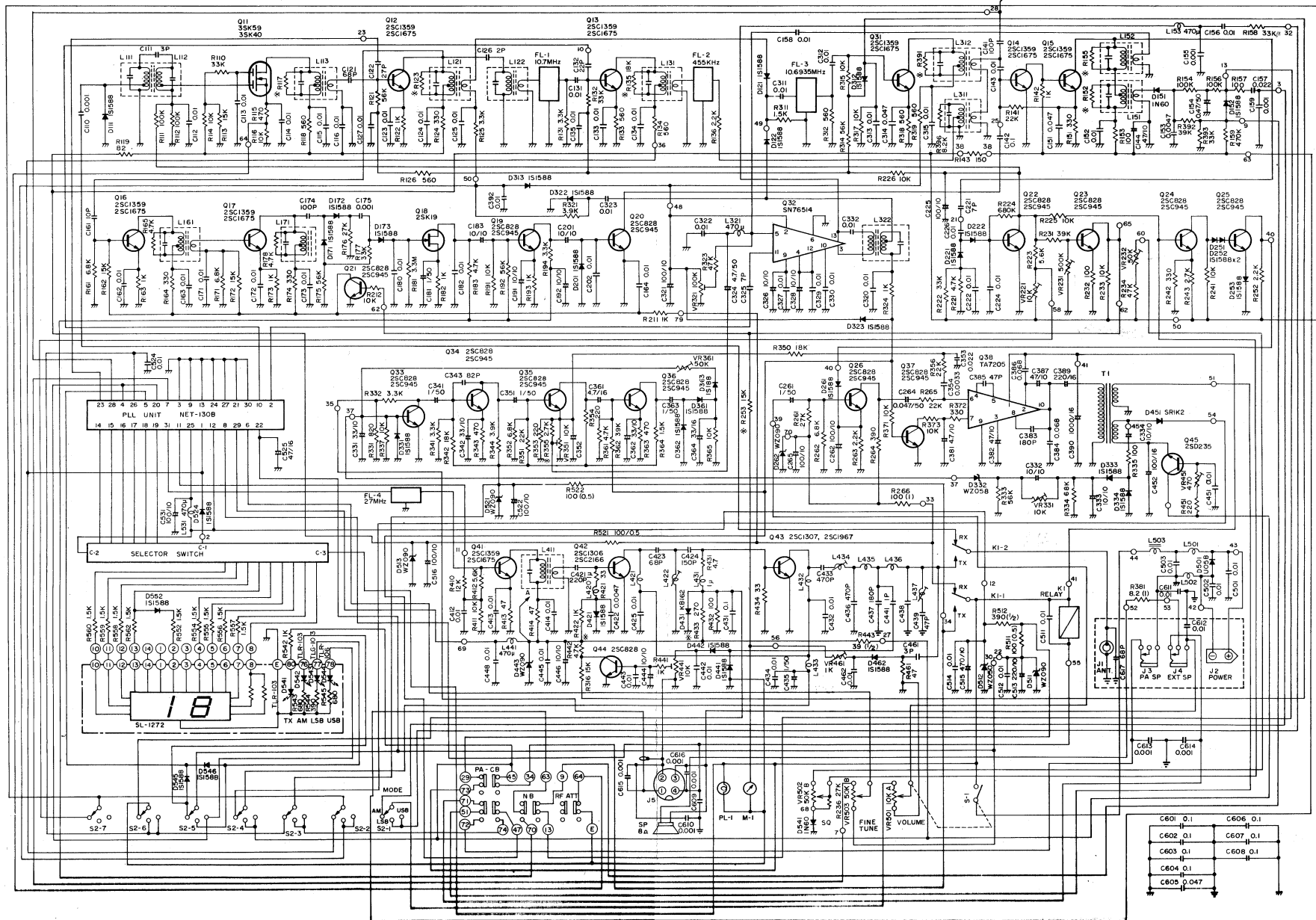


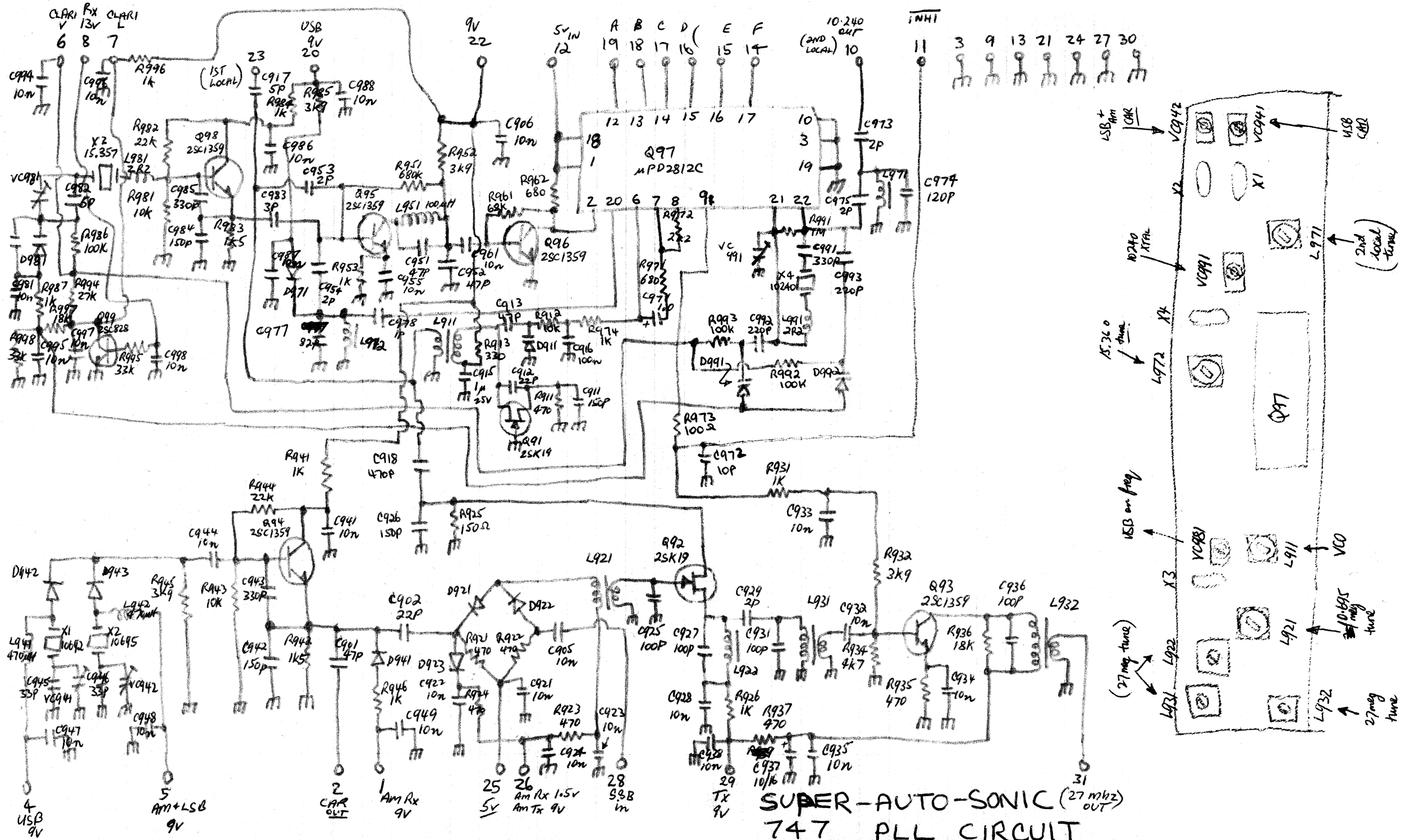
SUPER-AUTO-SONIC 747



- NOTES:**
- 1) ALL RESISTOR ARE IN OHMS AND 1/4 WATT UNLESS OTHERWISE SPECIFIED.
 - 2) CAPACITANCES FOLLOWED BY P ARE IN MICRO-MICRO FARADS OR PICO FARADS UNLESS OTHERWISE SPECIFIED.
 - 3) * SUBJECT TO CHANGE IN INDIVIDUAL UNIT.

SCHEMATIC DIAGRAM

C601	0.1	C606	0.1
C602	0.1	C607	0.1
C603	0.1	C608	0.1
C604	0.1		
C605	0.047		



**SUPER-AUTO-SONIC (27 MHz)
747 PLL CIRCUIT**