

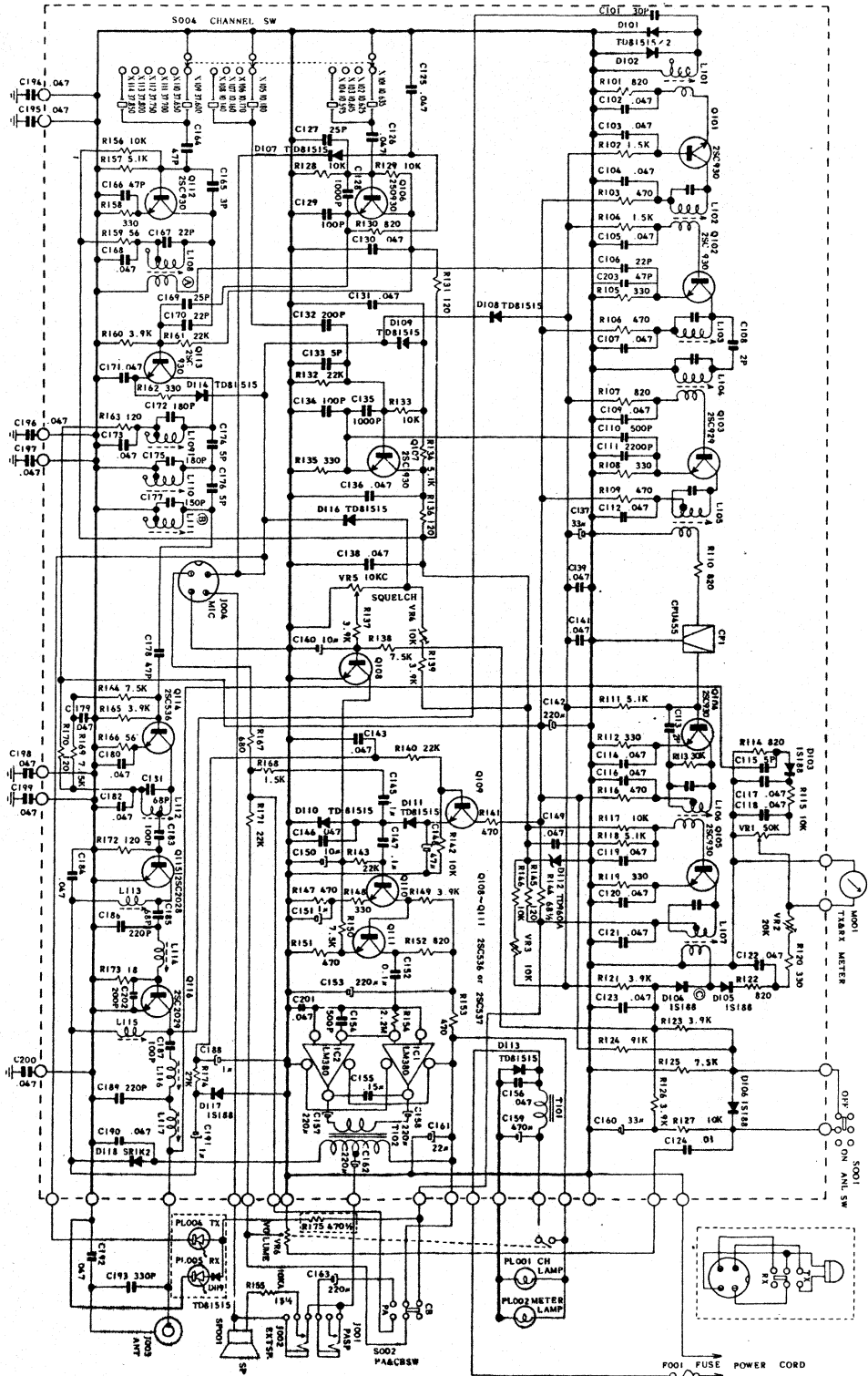
TASC - TM1100

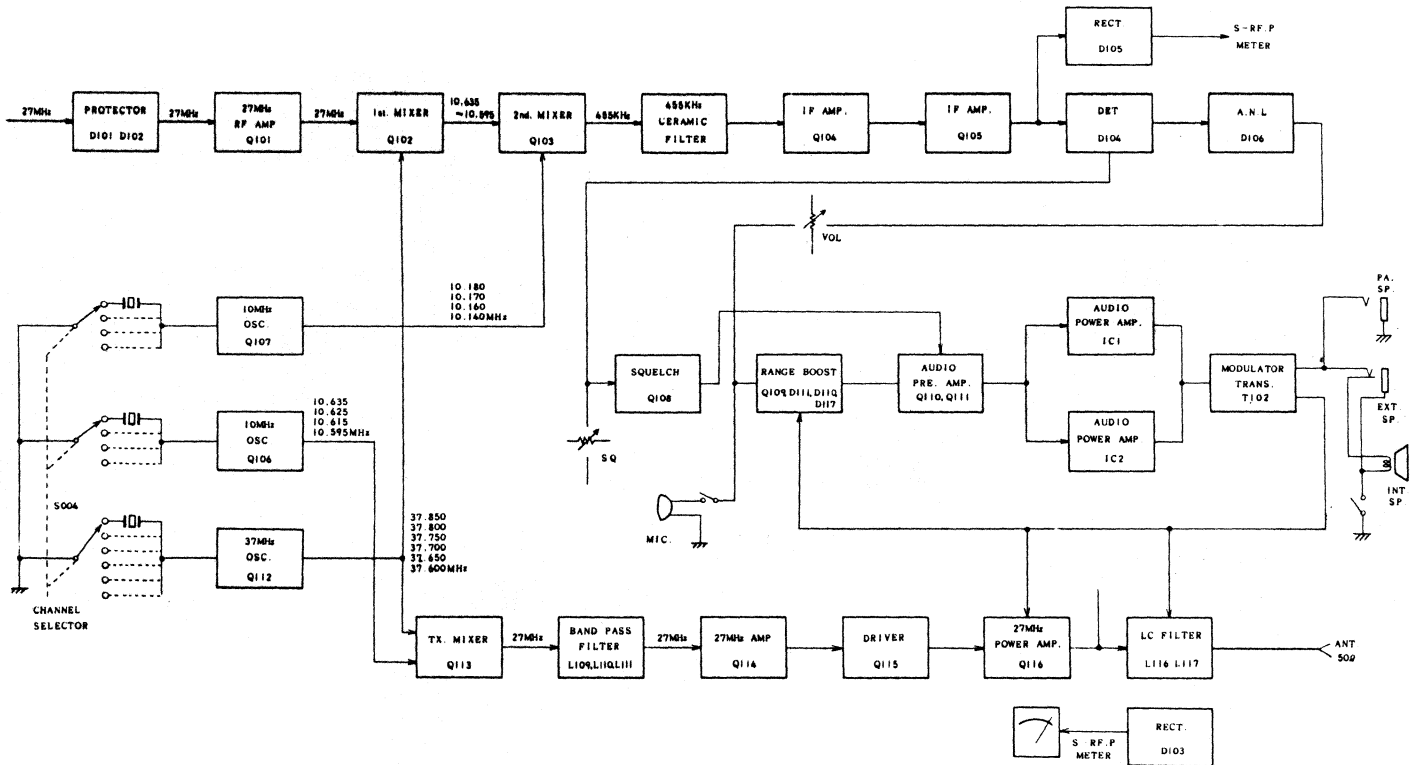
23-CHANNEL SOLID STATE
5-WATT MOBILE
2-WAY CB RADIO

6



SCHEMATIC DIAGRAM OF MODEL TM-1100





FANCTIONAL BLOCK DIAGRAM