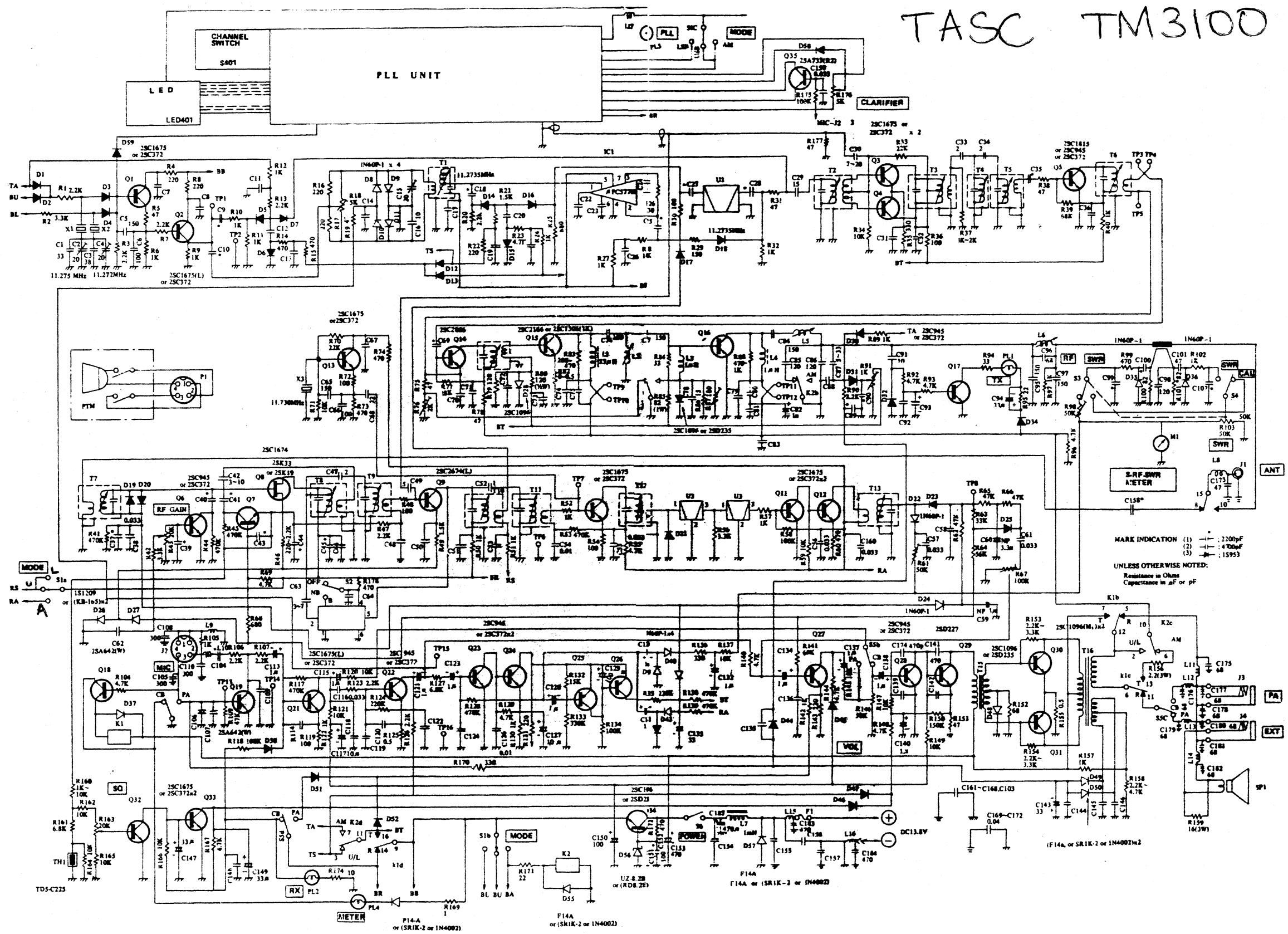


TASC TM3100



MARK INDICATION (1) . . . 2200pF
 (2) . . . 4700pF
 (3) . . . 15953

UNLESS OTHERWISE NOTED:
 Resistance in Ohms
 Capacitance in pF or pF

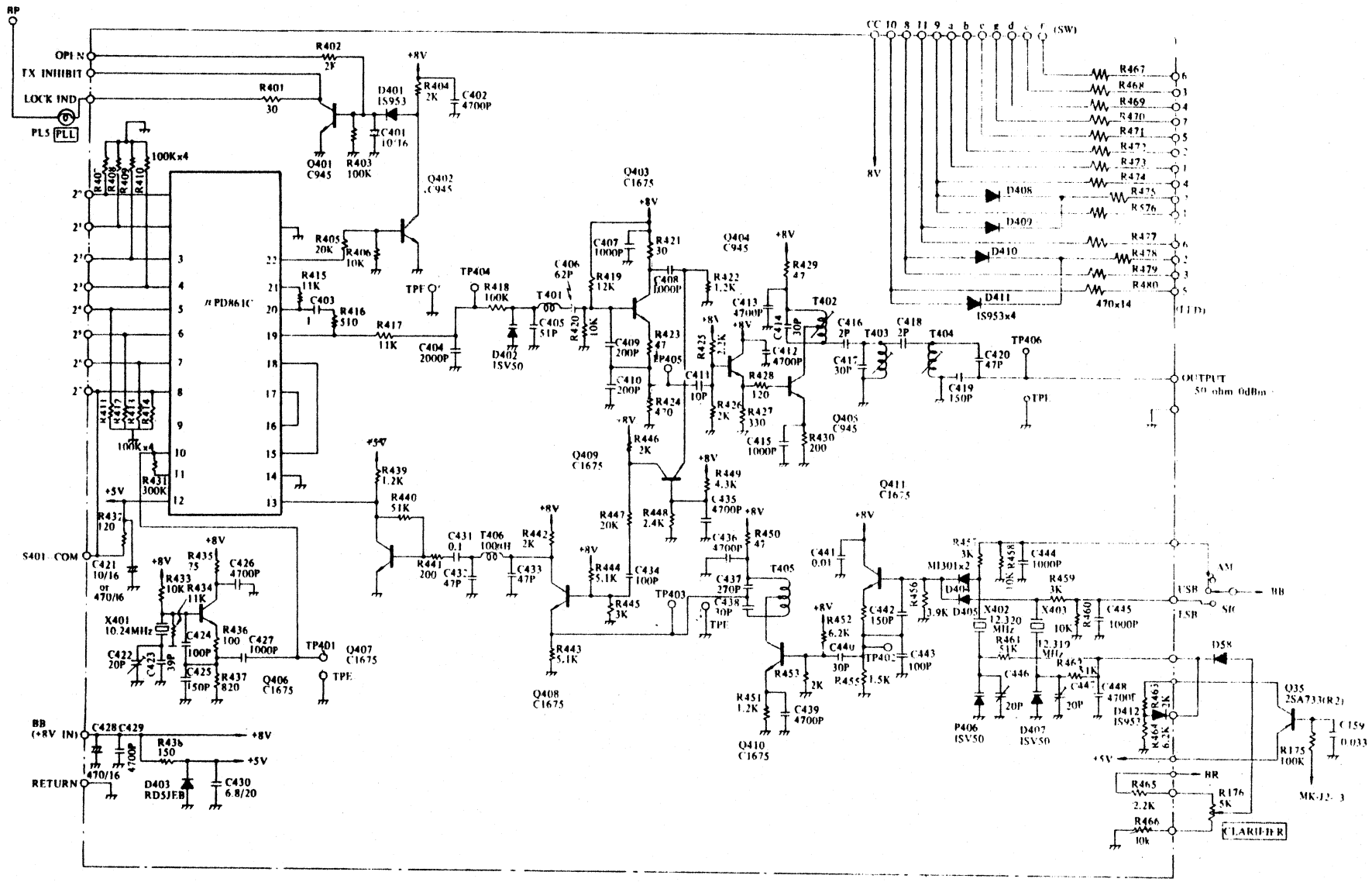
TD5-C225

(F14a, or SR1K-2 or 1N4002x2)

METER
 P14-A
 or (SR1K-2 or 1N4002)

POWER
 F14A
 or (SR1K-2 or 1N4002)

TASC TM3100 PLL



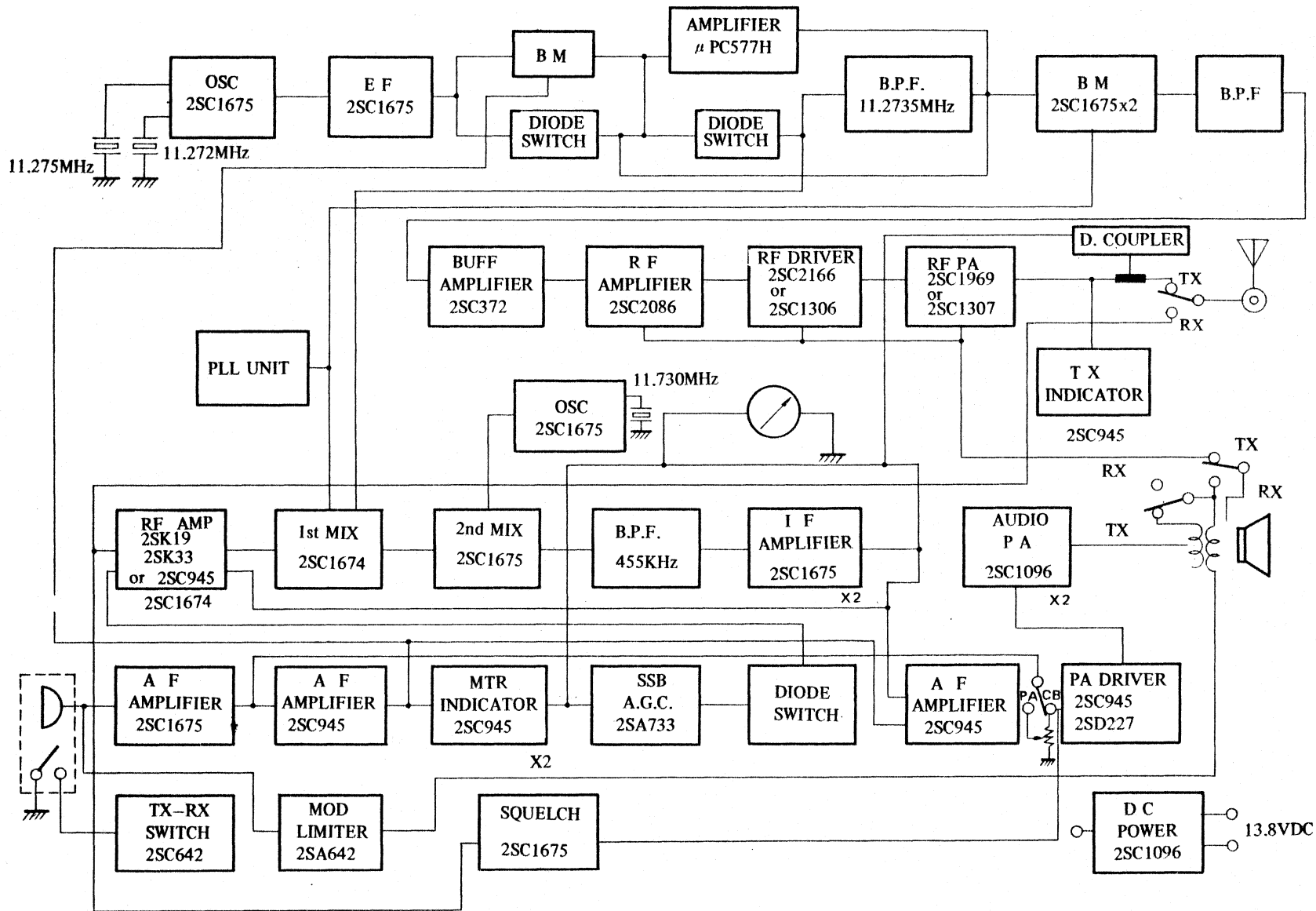


Figure 1. BLOCK DIAGRAM