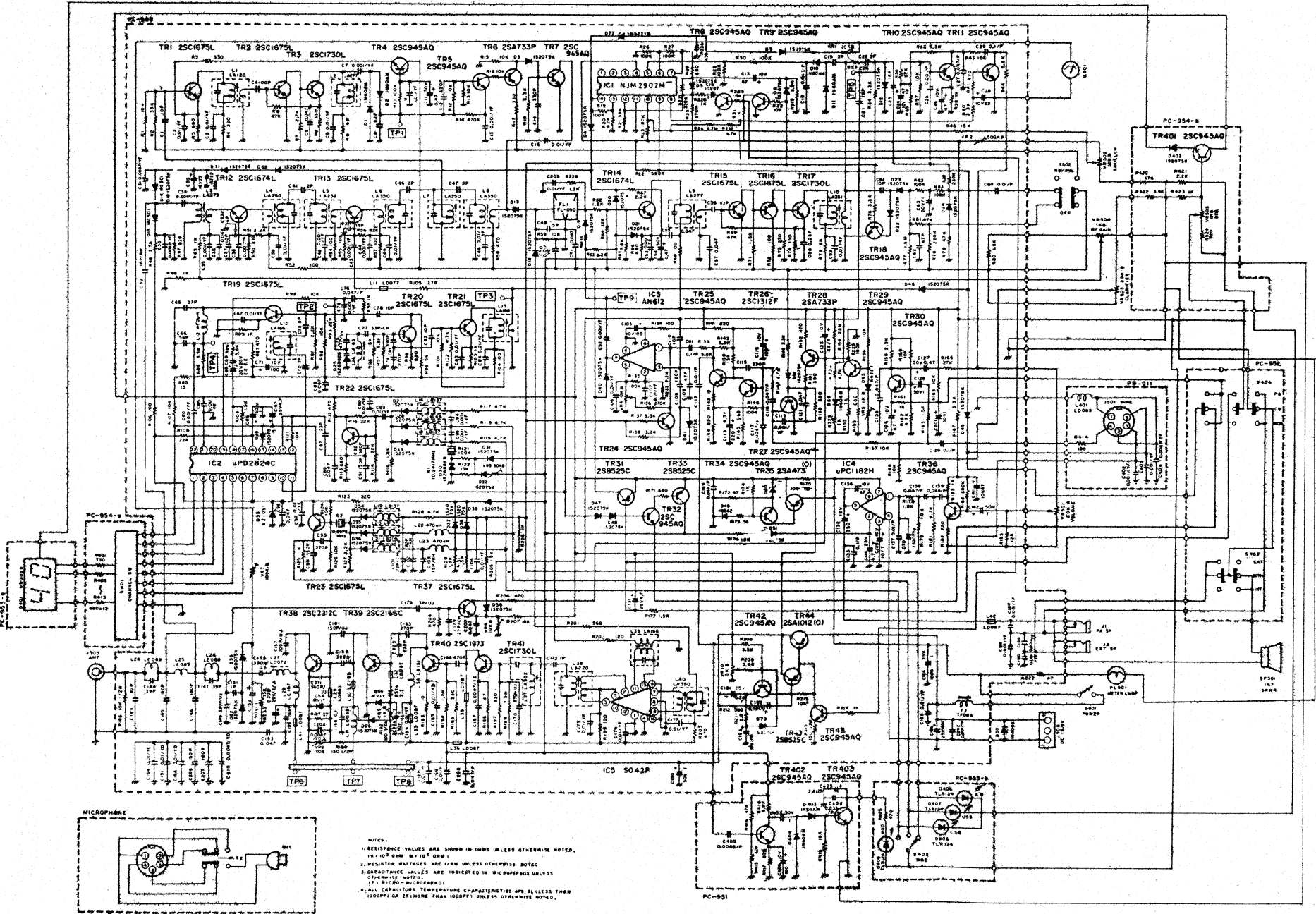


SCHEMATIC DIAGRAM

TRC-451



NOTES:
 1. RESISTANCE VALUES ARE SHOWN IN OHMS UNLESS OTHERWISE NOTED.
 2. RESISTOR TOLERANCES ARE 1% UNLESS OTHERWISE NOTED.
 3. CAPACITANCE VALUES ARE IN MICROFARADS UNLESS OTHERWISE NOTED.
 4. ALL CAPACITORS TEMPERATURE CHARACTERISTICS ARE 5% UNLESS THAN 100PPM OR BETTER THAN 100PPM UNLESS OTHERWISE NOTED.