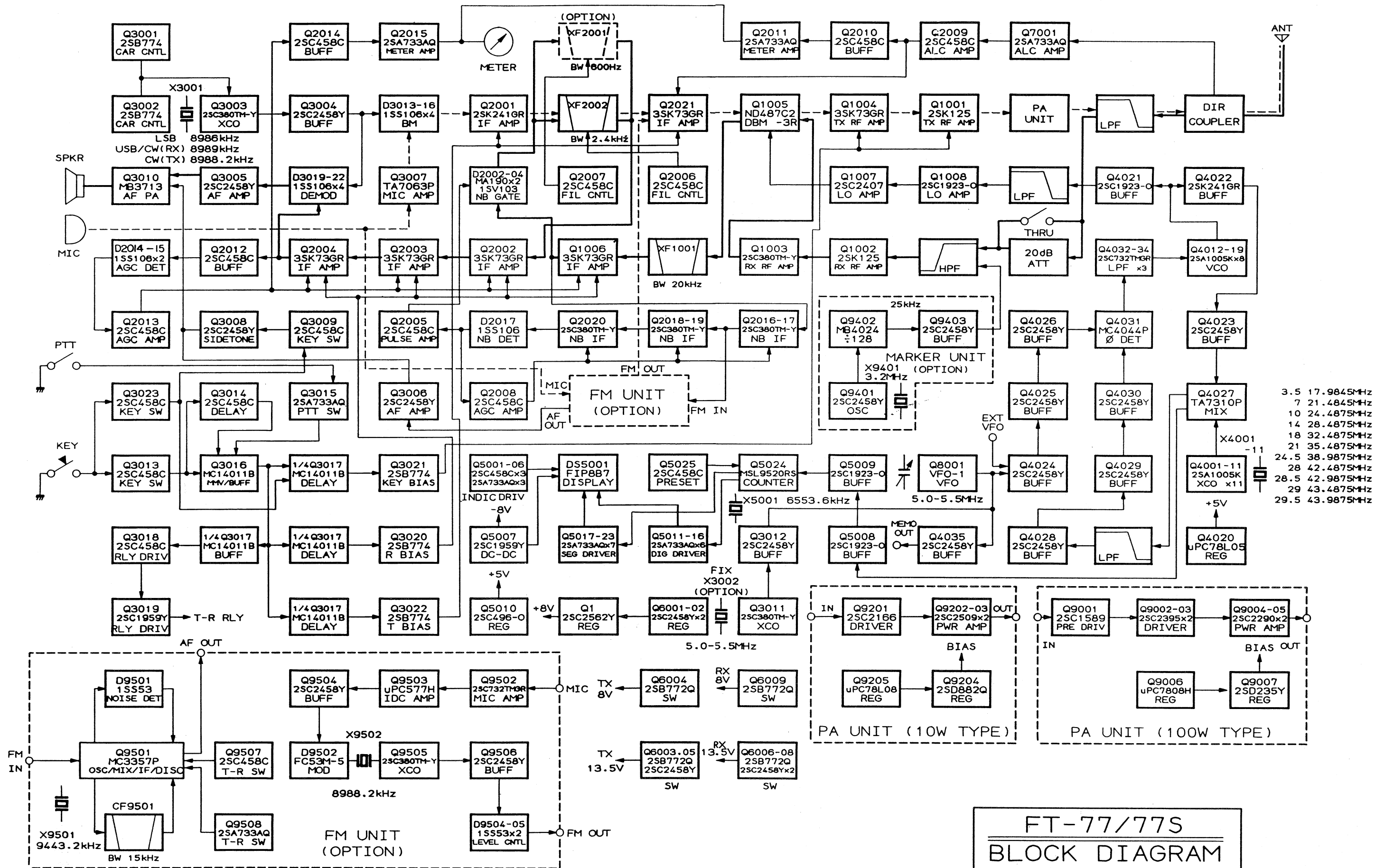
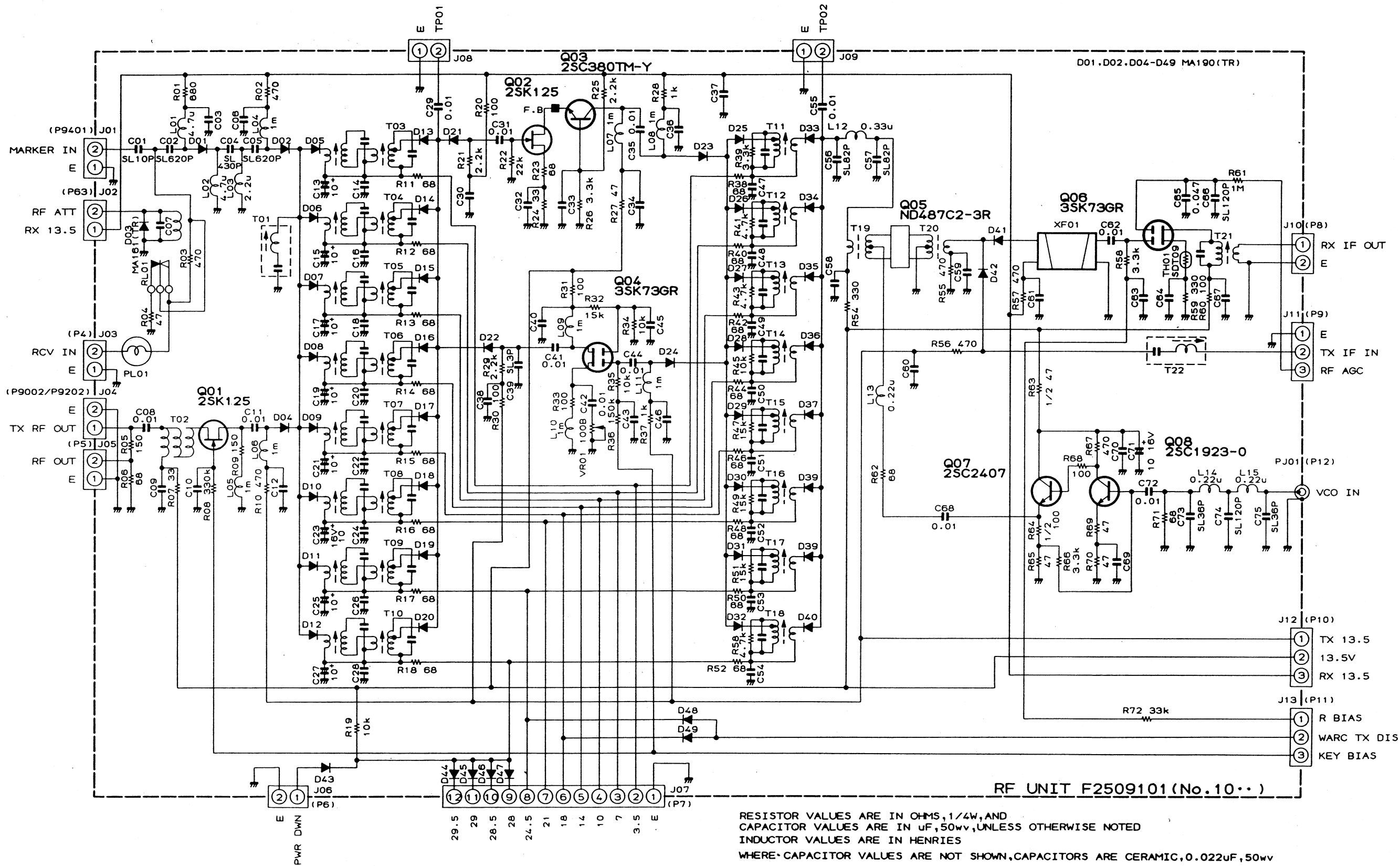


180 uH
88 turns 42 S wire

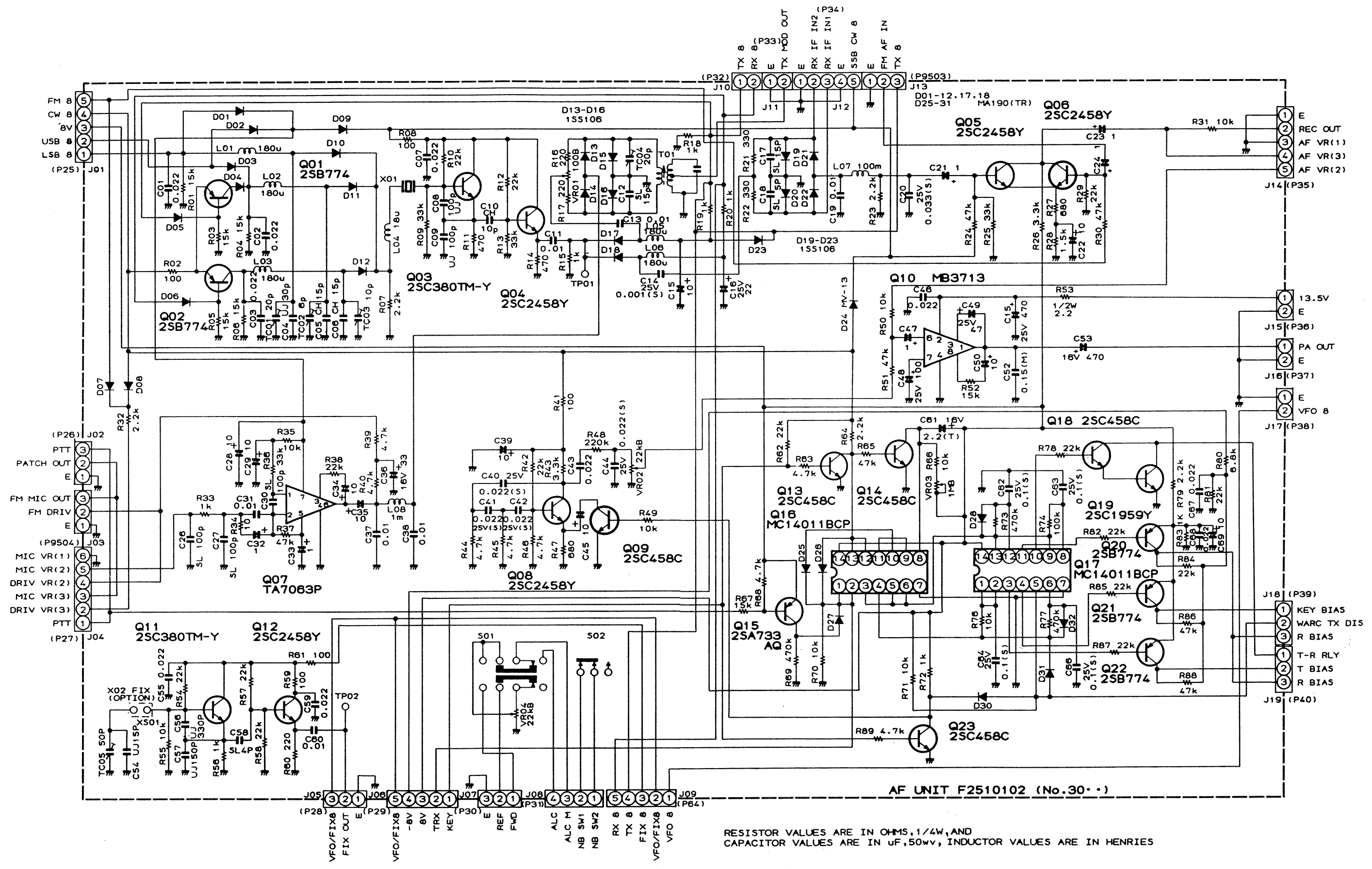
**FT-77/77S
WIRING DIAGRAM**



**FT-77/77S
BLOCK DIAGRAM**

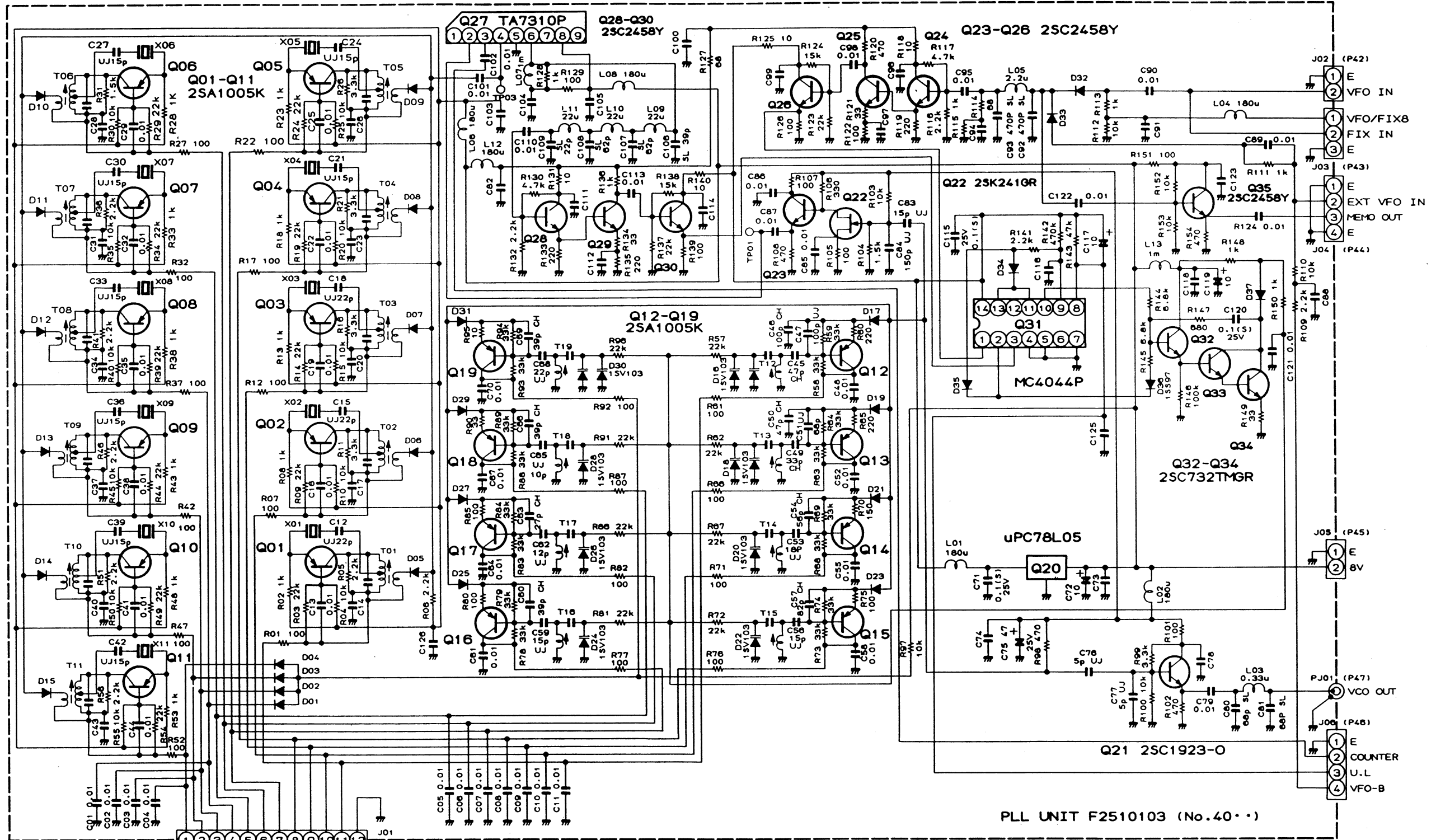


RESISTOR VALUES ARE IN OHMS, 1/4W, AND
 CAPACITOR VALUES ARE IN uF, 50wv, UNLESS OTHERWISE NOTED
 INDUCTOR VALUES ARE IN HENRIES
 WHERE CAPACITOR VALUES ARE NOT SHOWN, CAPACITORS ARE CERAMIC, 0.022uF, 50wv



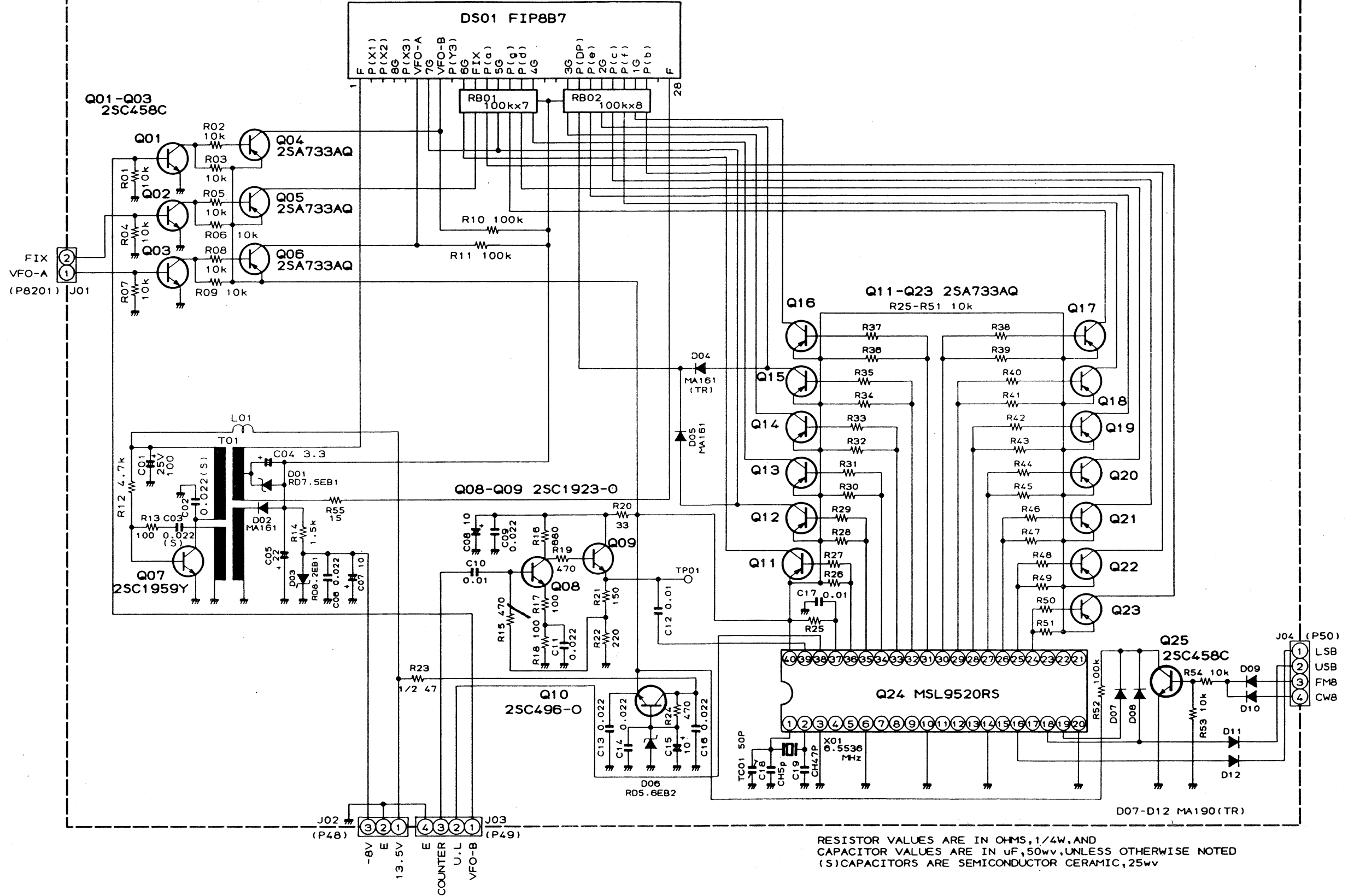
AF UNIT F2510102 (No.30..)

RESISTOR VALUES ARE IN OHMS, 1/4W, AND CAPACITOR VALUES ARE IN uF, 50wv, INDUCTOR VALUES ARE IN HENRIES

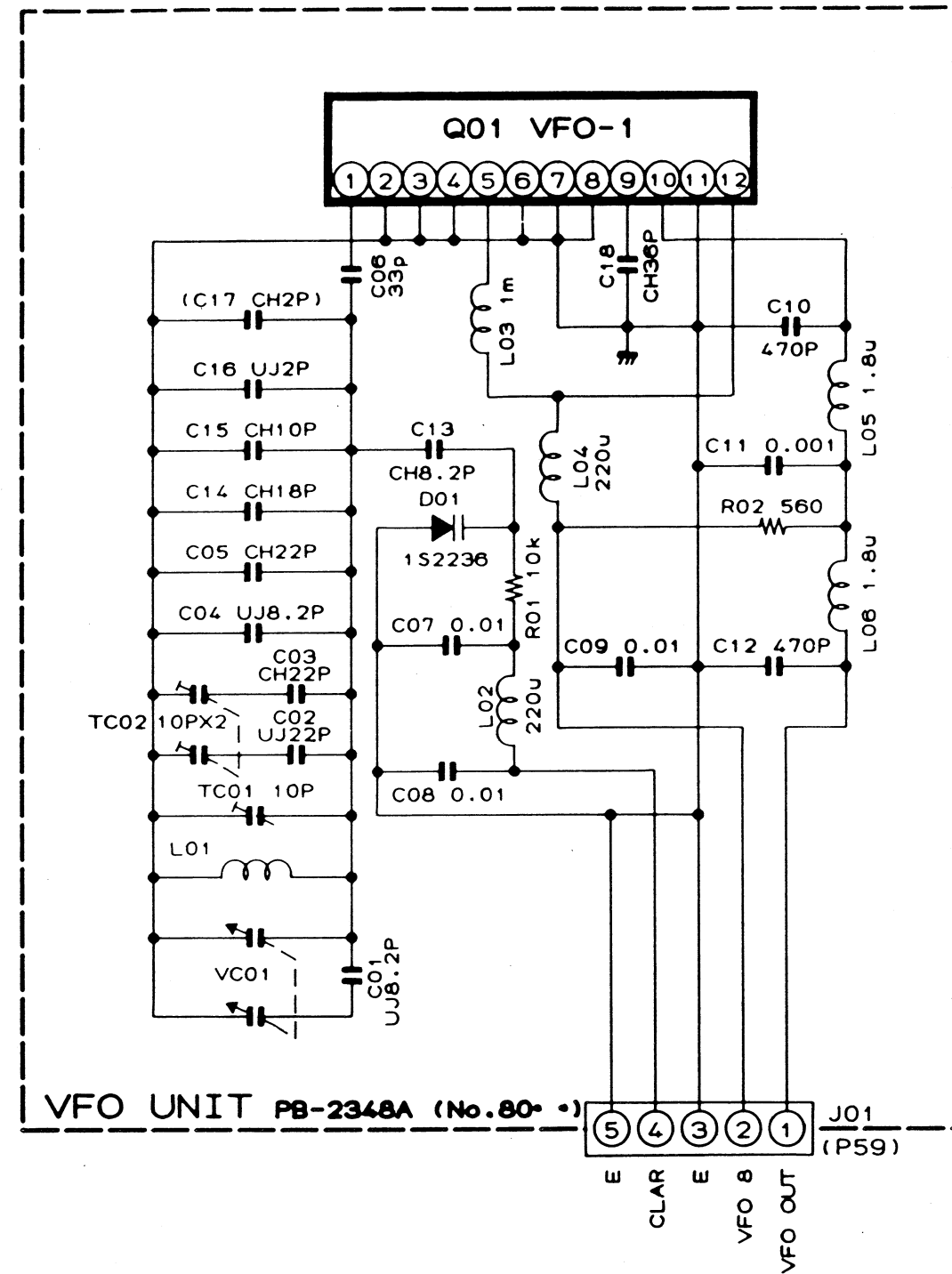
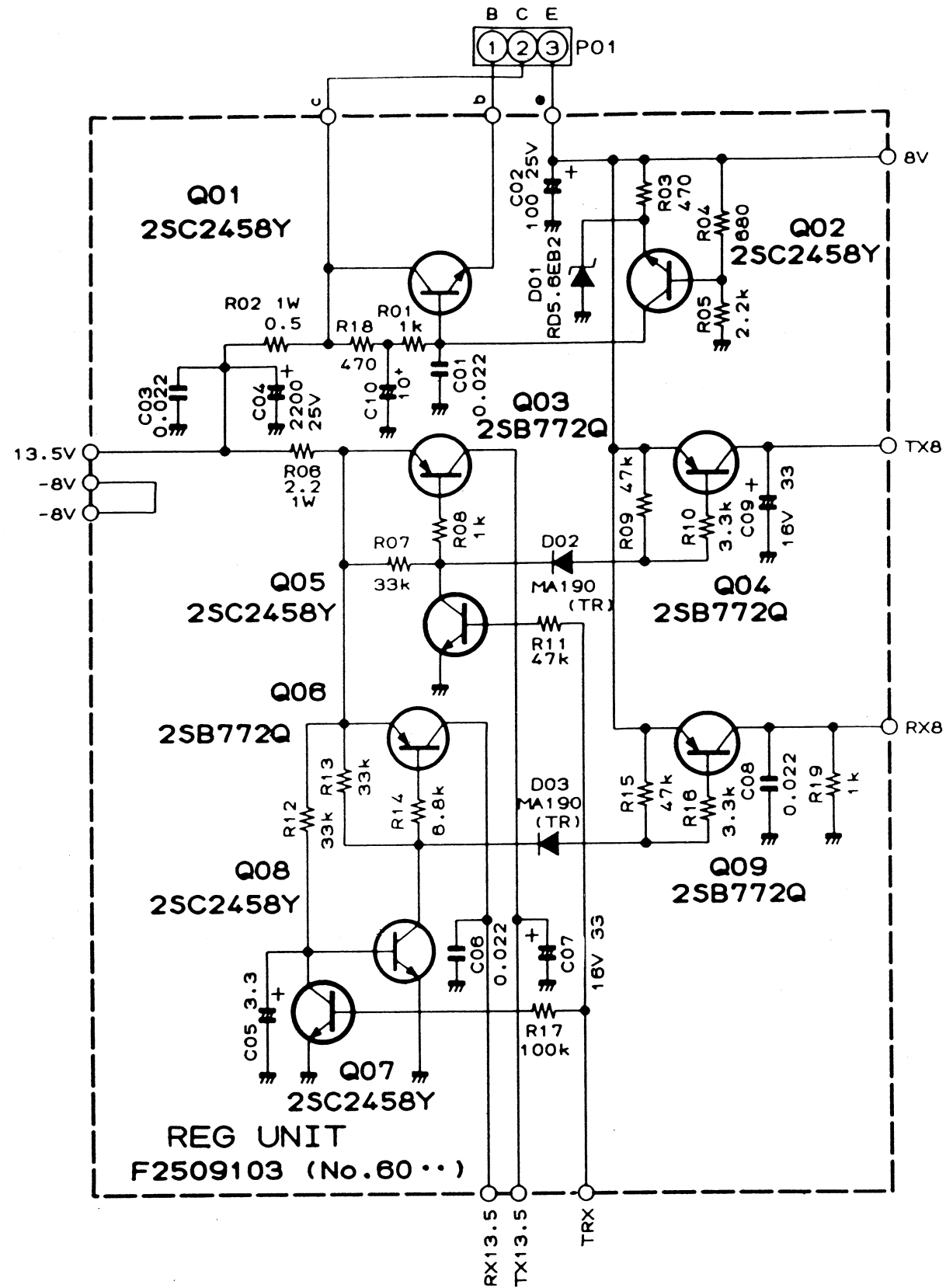


RESISTOR VALUES ARE IN OHMS, 1/4W, AND CAPACITOR VALUES ARE IN uF, 50wv, UNLESS OTHERWISE NOTED (S)CAPACITORS ARE SEMICONDUCTOR CERAMIC, 25wv (M)CAPACITORS ARE POLYESTER FILM TYPE, 50wv INDUCTOR VALUES ARE IN HENRIES (T)CAPACITORS ARE TANTALUM, 16wv DIODES ARE MA190(TR) UNLESS OTHERWISE NOTED WHERE CAPACITOR VALUES ARE NOT SHOWN, CAPACITORS ARE CERAMIC, 0.022uF, 50wv

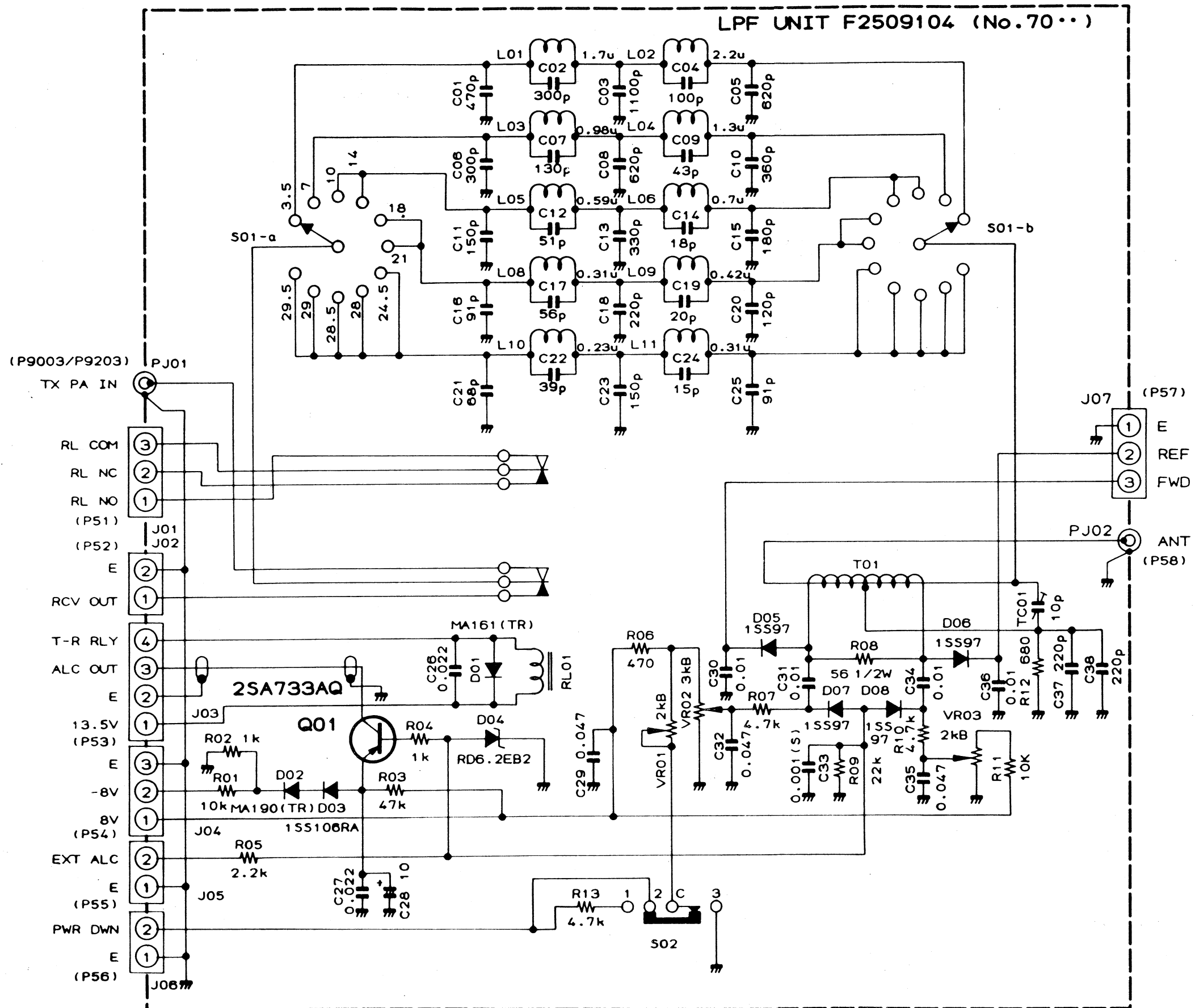
DISPLAY UNIT F2510104 (No.500)



RESISTOR VALUES ARE IN OHMS, 1/4W, AND
CAPACITOR VALUES ARE IN μ F, 50V, UNLESS OTHERWISE NOTED
(S) CAPACITORS ARE SEMICONDUCTOR CERAMIC, 25V

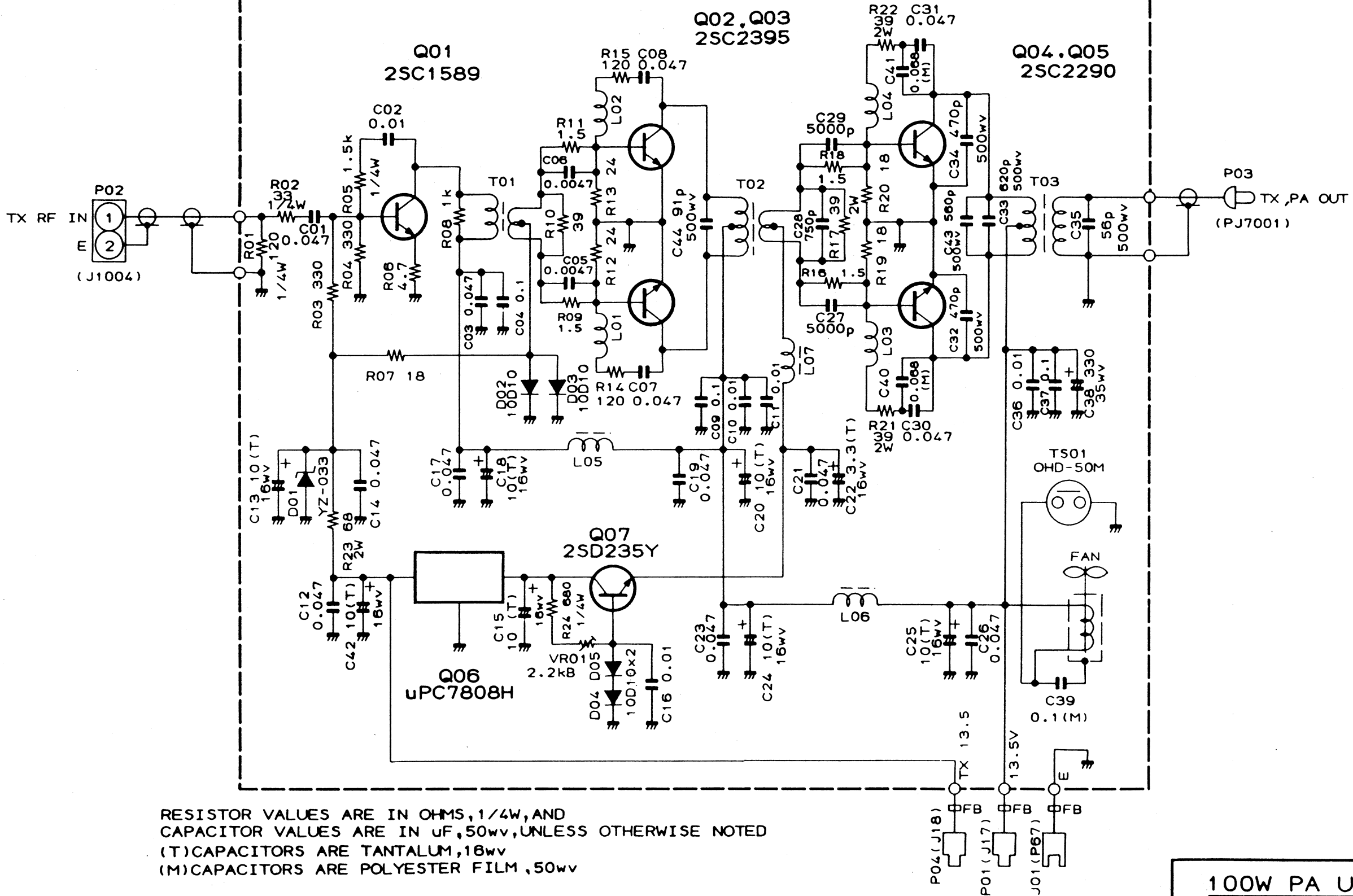


RESISTOR VALUES ARE IN OHMS, 1/4W, AND
 CAPACITOR VALUES ARE IN uF, 50wv, UNLESS OTHERWISE NOTED
 INDUCTOR VALUES ARE IN HENRIES UNLESS OTHERWISE NOTED



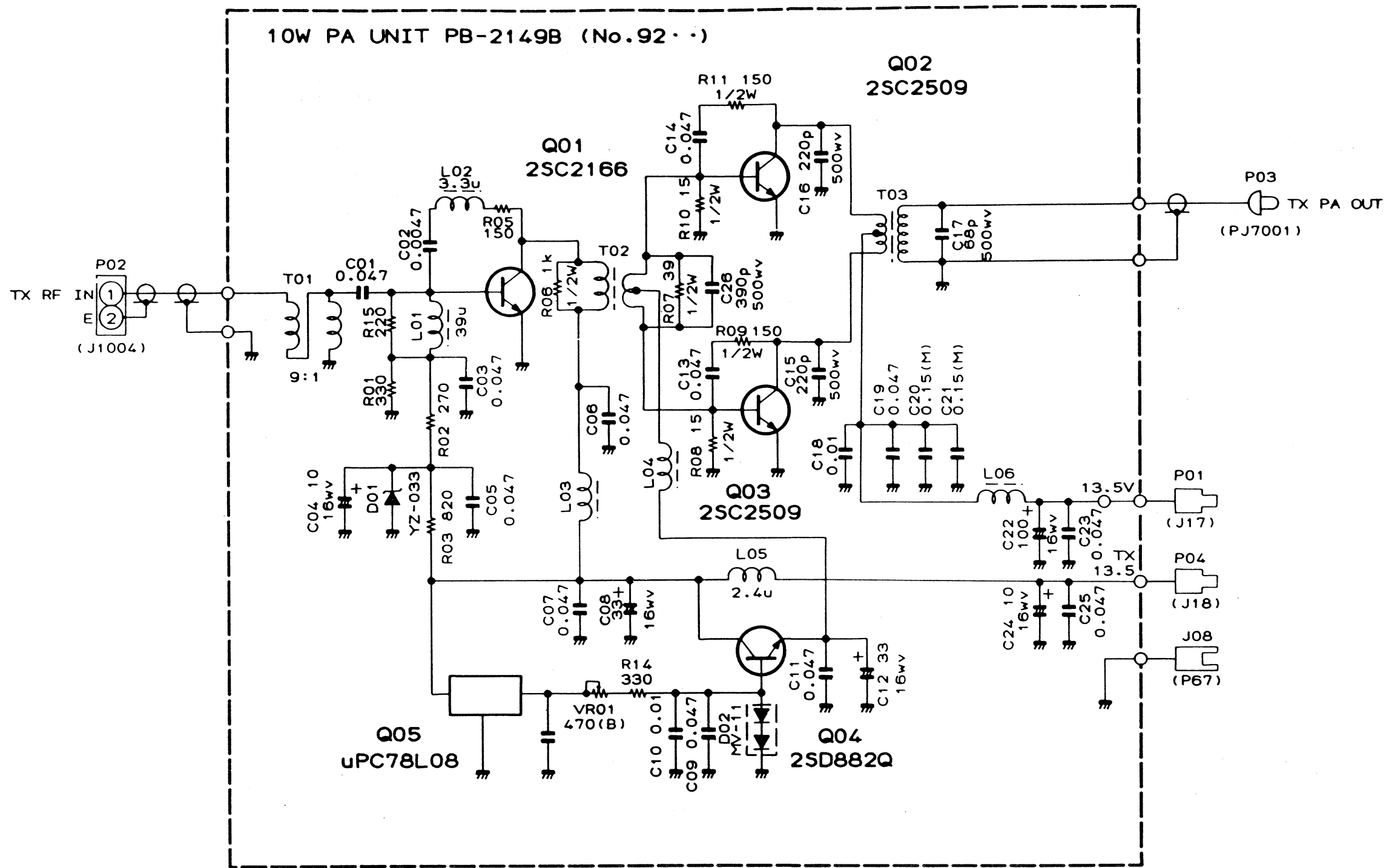
RESISTOR VALUES ARE IN OHMS, 1/4W, AND
 CAPACITOR VALUES ARE IN μ F, 50wv, UNLESS OTHERWISE NOTED
 (S) CAPACITORS ARE SEMICONDUCTOR CERAMIC, 25wv
 INDUCTOR VALUES ARE IN HENRIES

100W PA UNIT PB-2013B (No.90...)

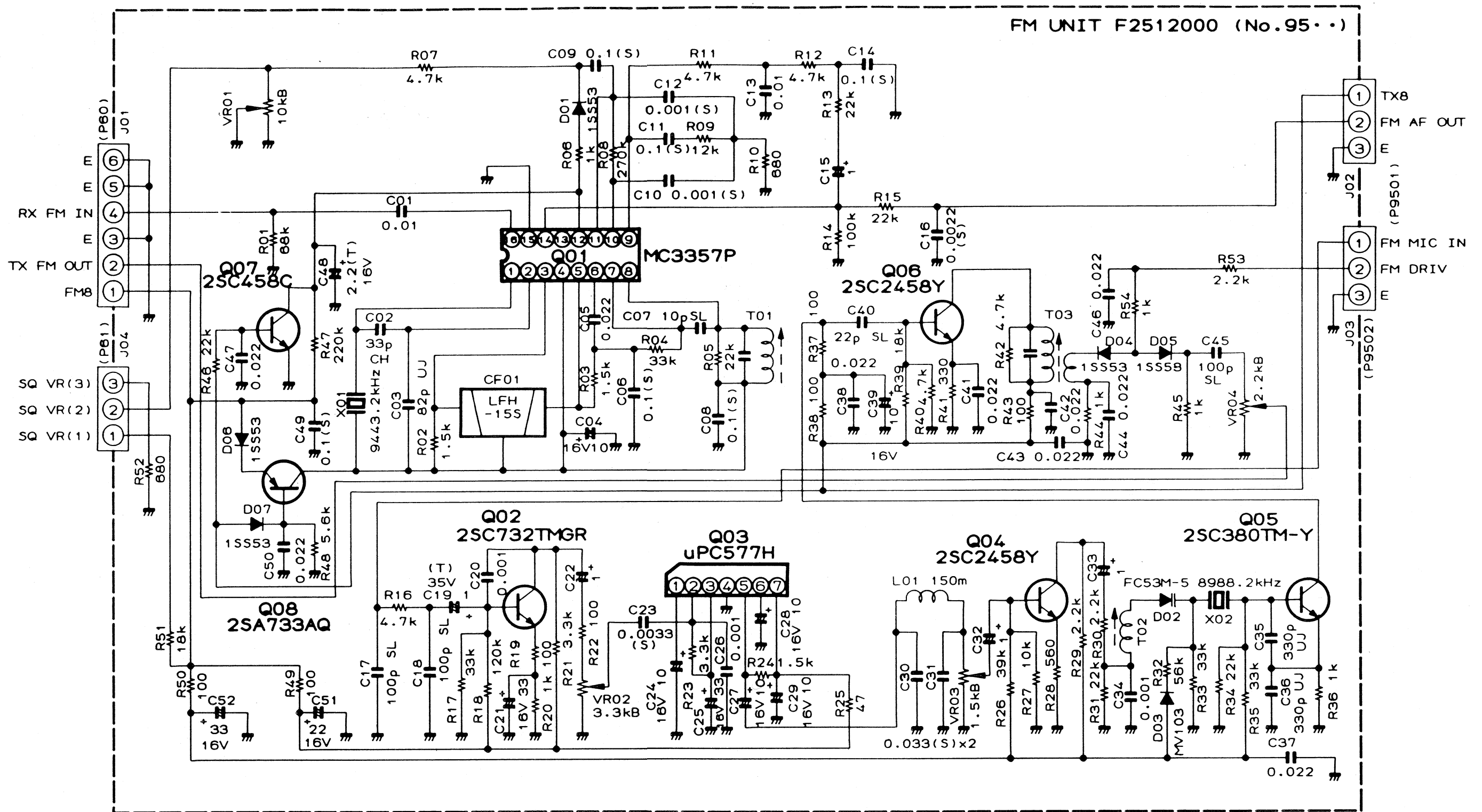


RESISTOR VALUES ARE IN OHMS, 1/4W, AND
 CAPACITOR VALUES ARE IN uF, 50wv, UNLESS OTHERWISE NOTED
 (T)CAPACITORS ARE TANTALUM, 16wv
 (M)CAPACITORS ARE POLYESTER FILM, 50wv

100W PA UNIT
 CIRCUIT DIAGRAM



**10W PA UNIT
CIRCUIT DIAGRAM**



RESISTOR VALUES ARE IN OHMS, 1/4W, AND
 CAPACITOR VALUES ARE IN μ F, 50wv (EXCEPT ELECTROLYTIC)
 INDUCTOR VALUES ARE IN H UNLESS OTHERWISE NOTED
 (T)CAPACITORS ARE TANTALUM
 (S)CAPACITORS ARE SEMICONDUCTOR CERAMIC, 25wv