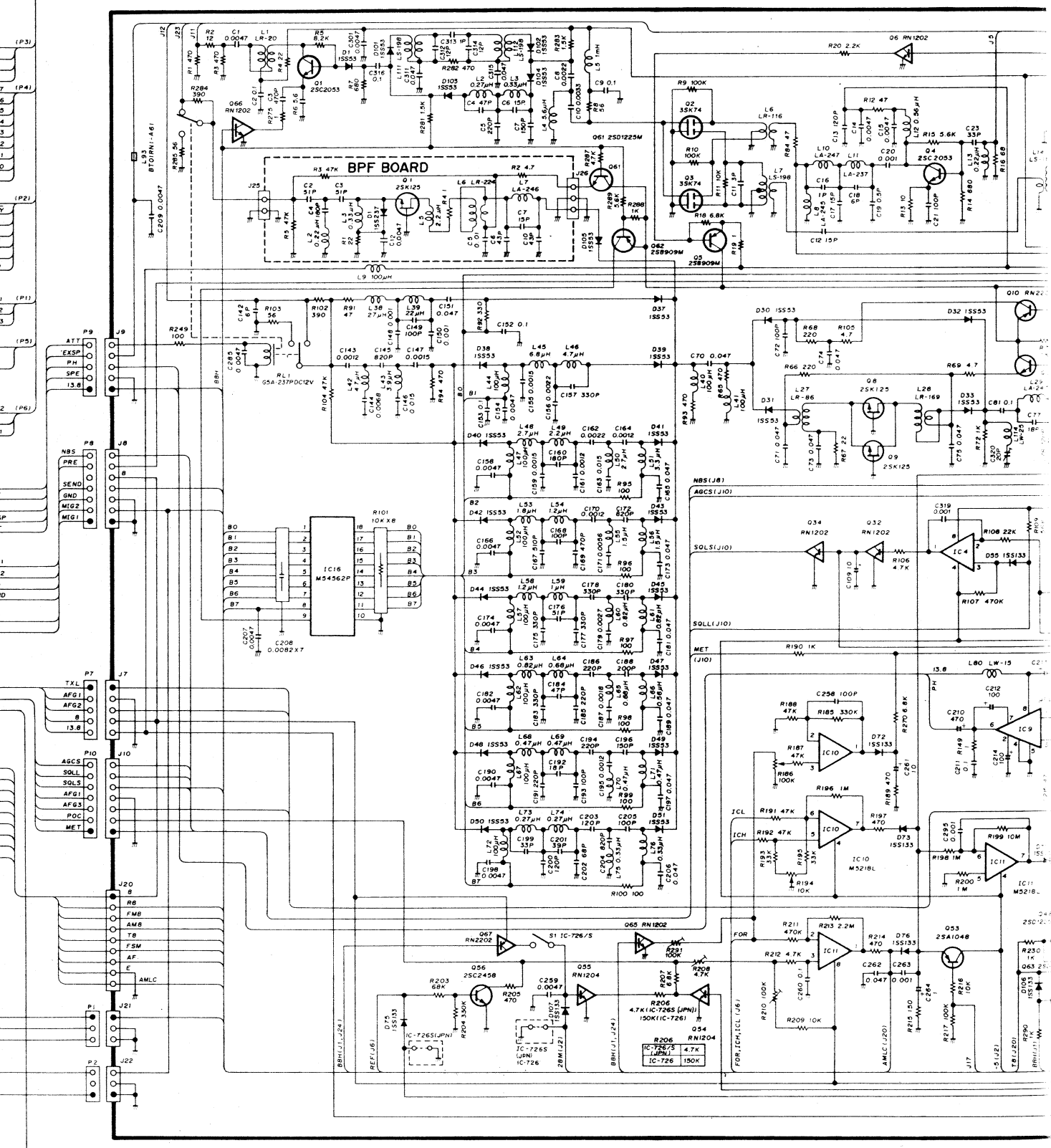
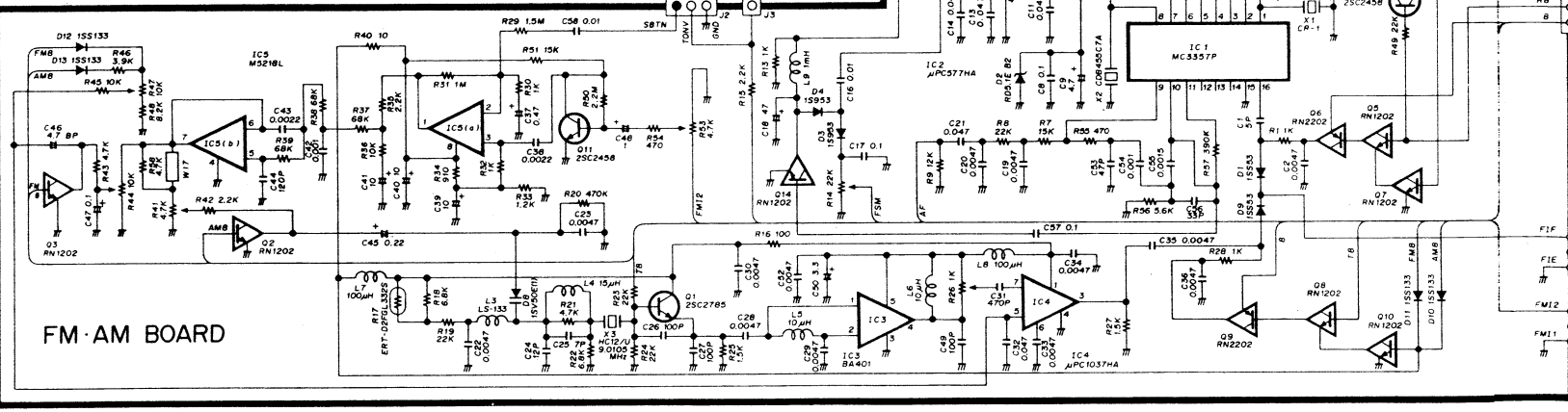
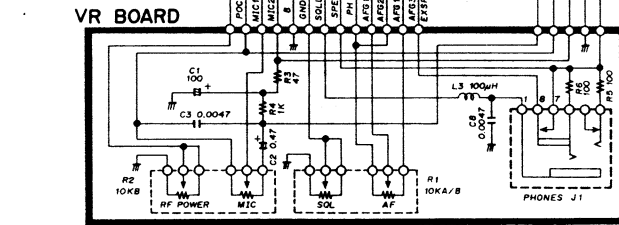
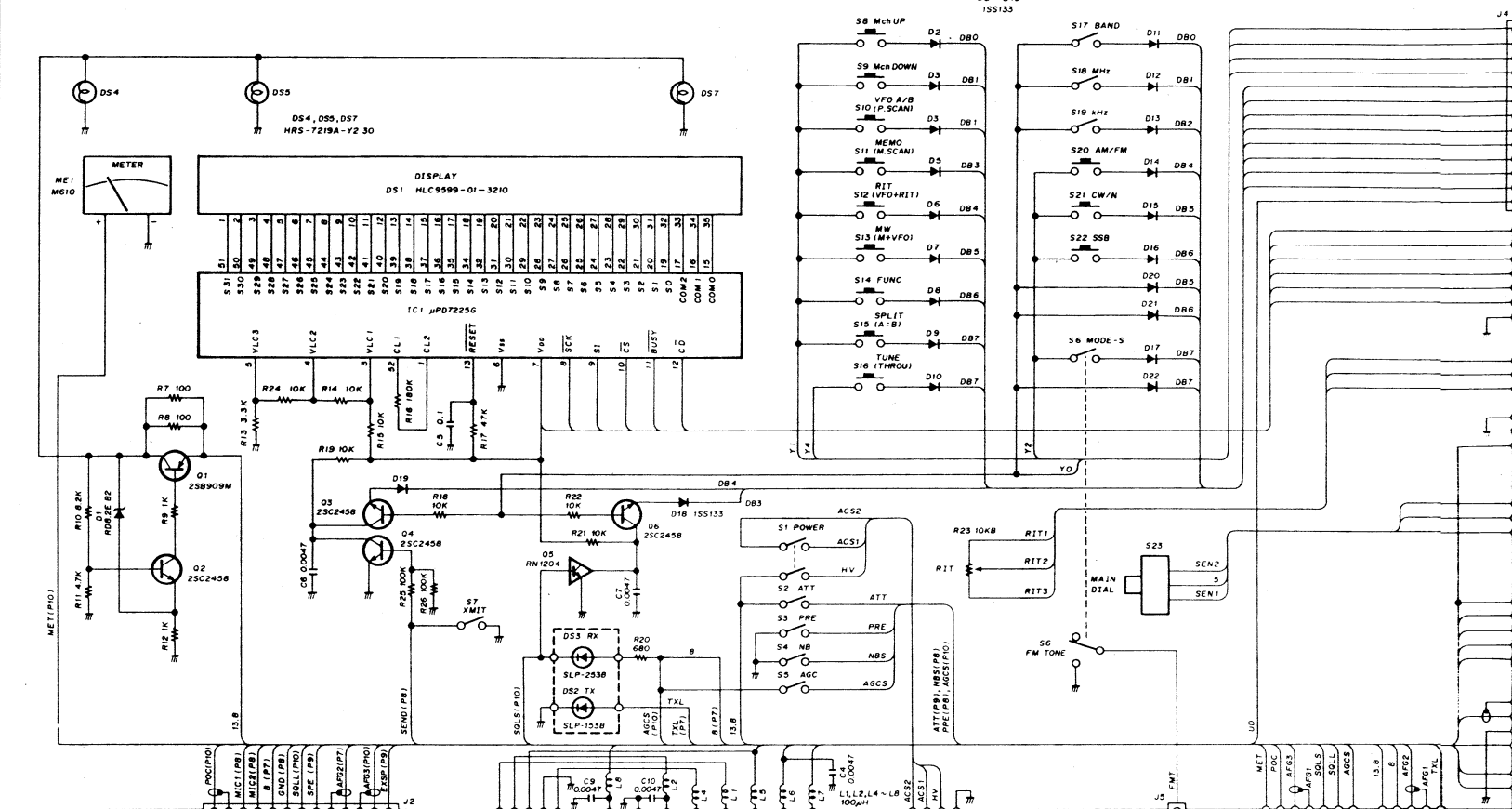


# ICOM

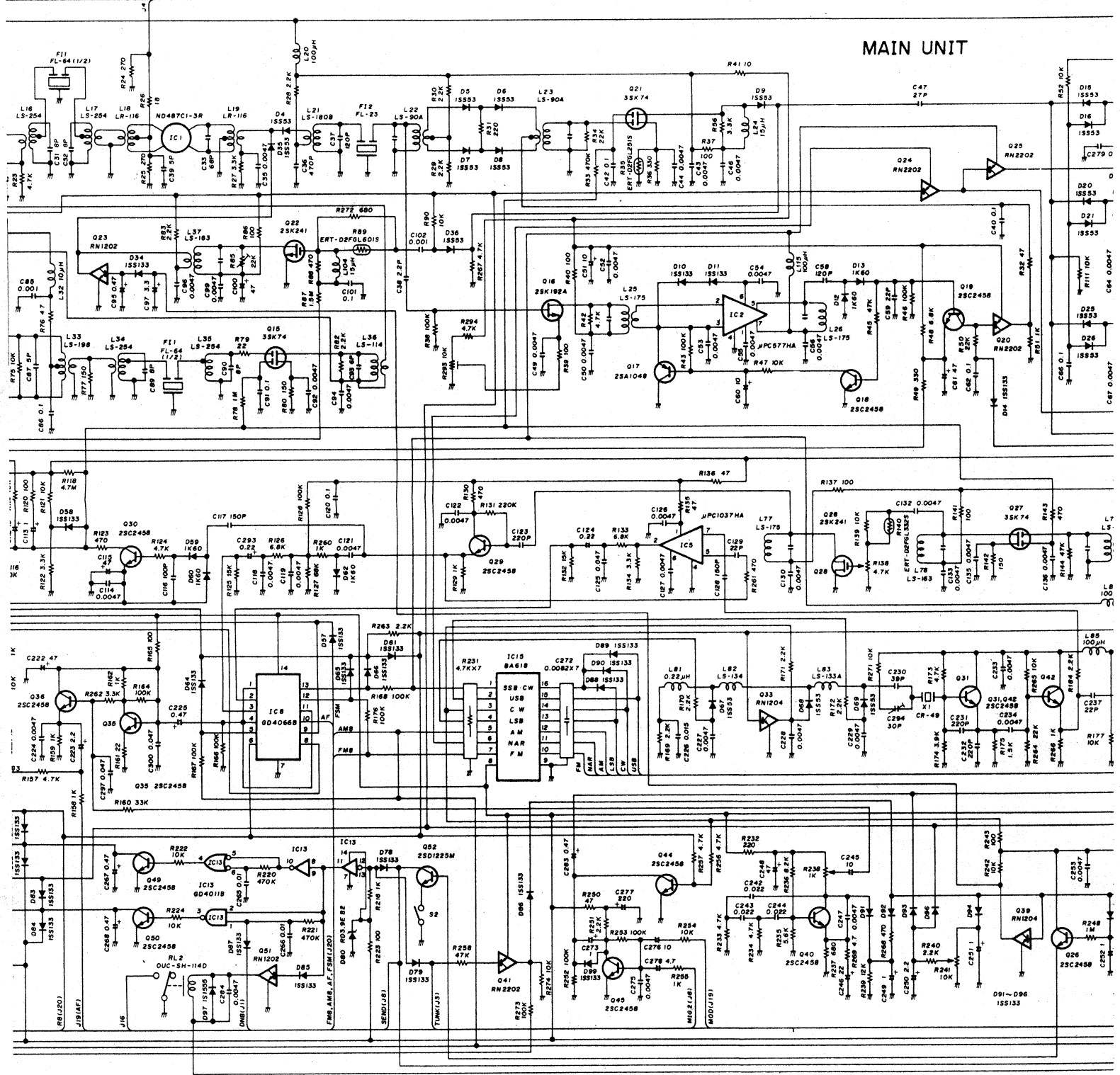
# IC-726S IC-726

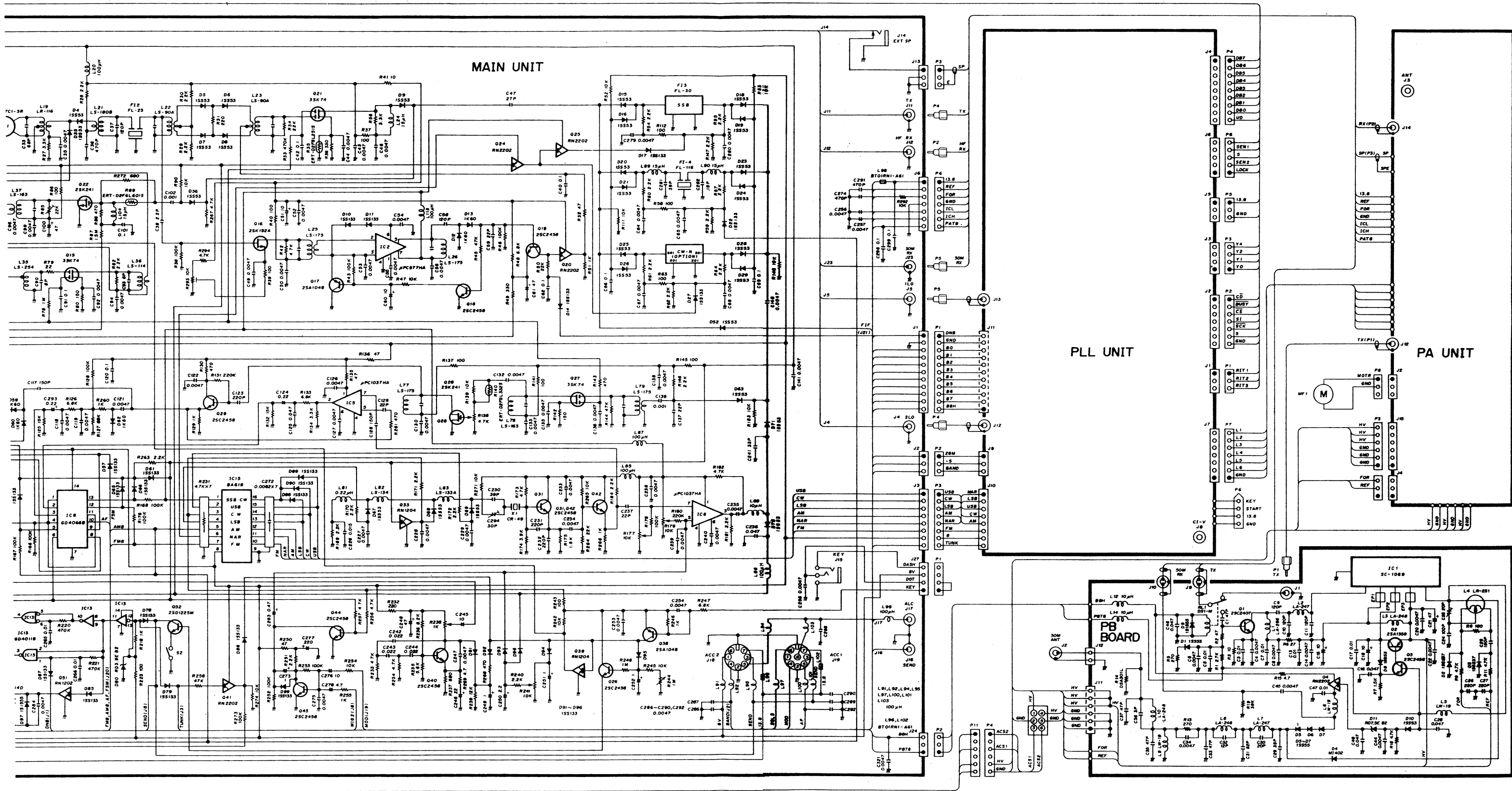
## SCHEMATIC DIAGRAM

### FRONT UNIT



# MAIN UNIT



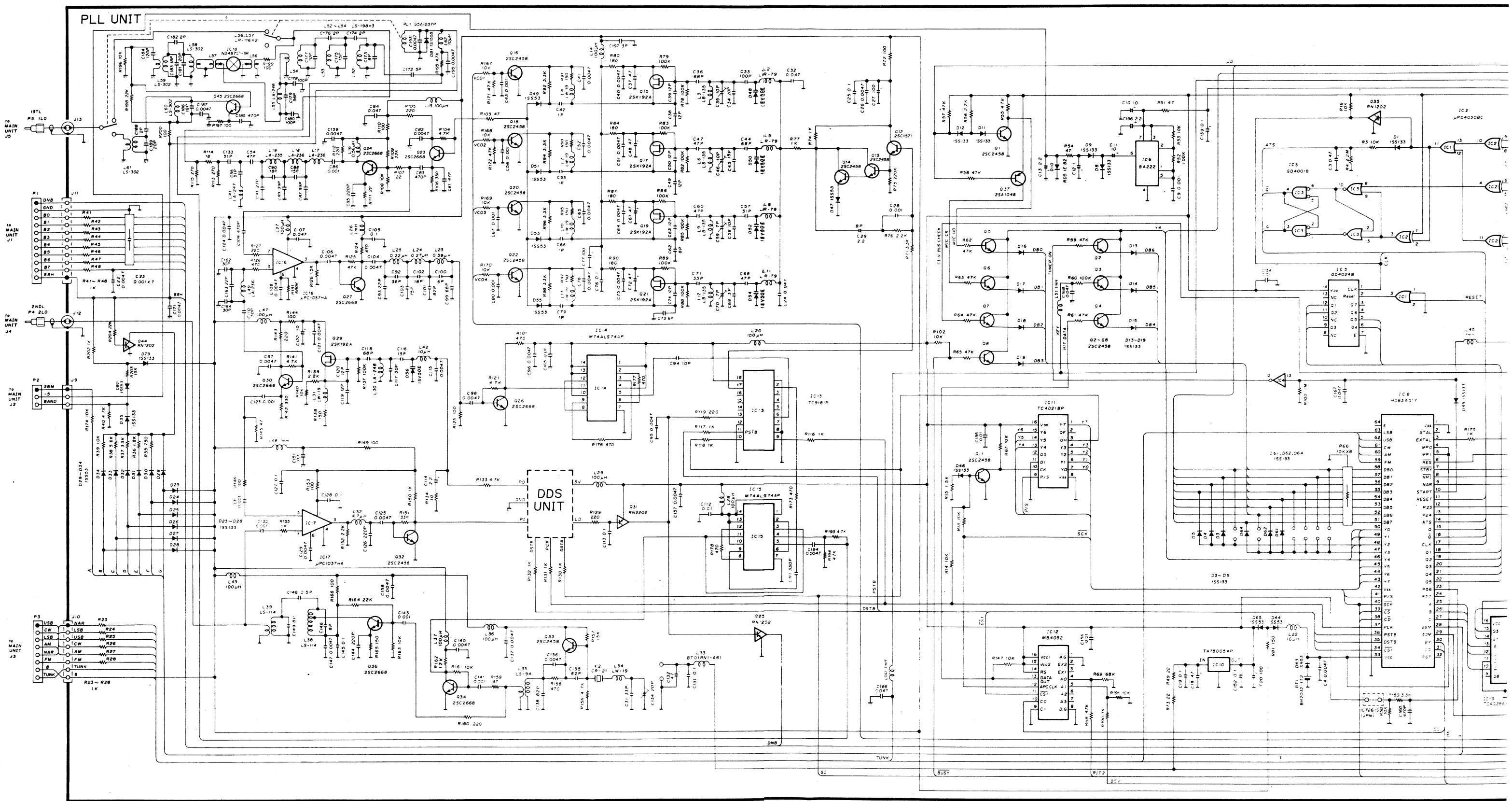


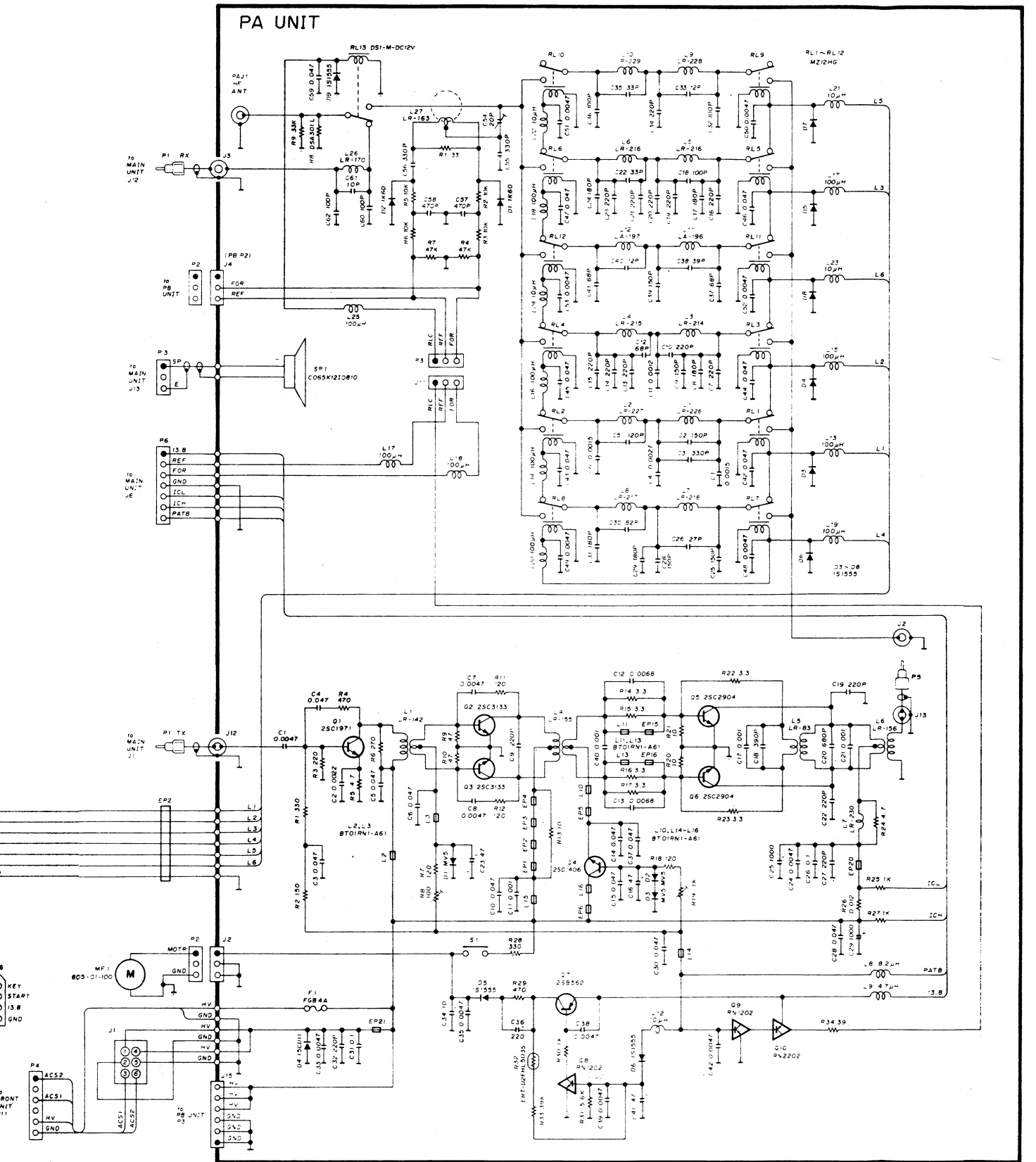
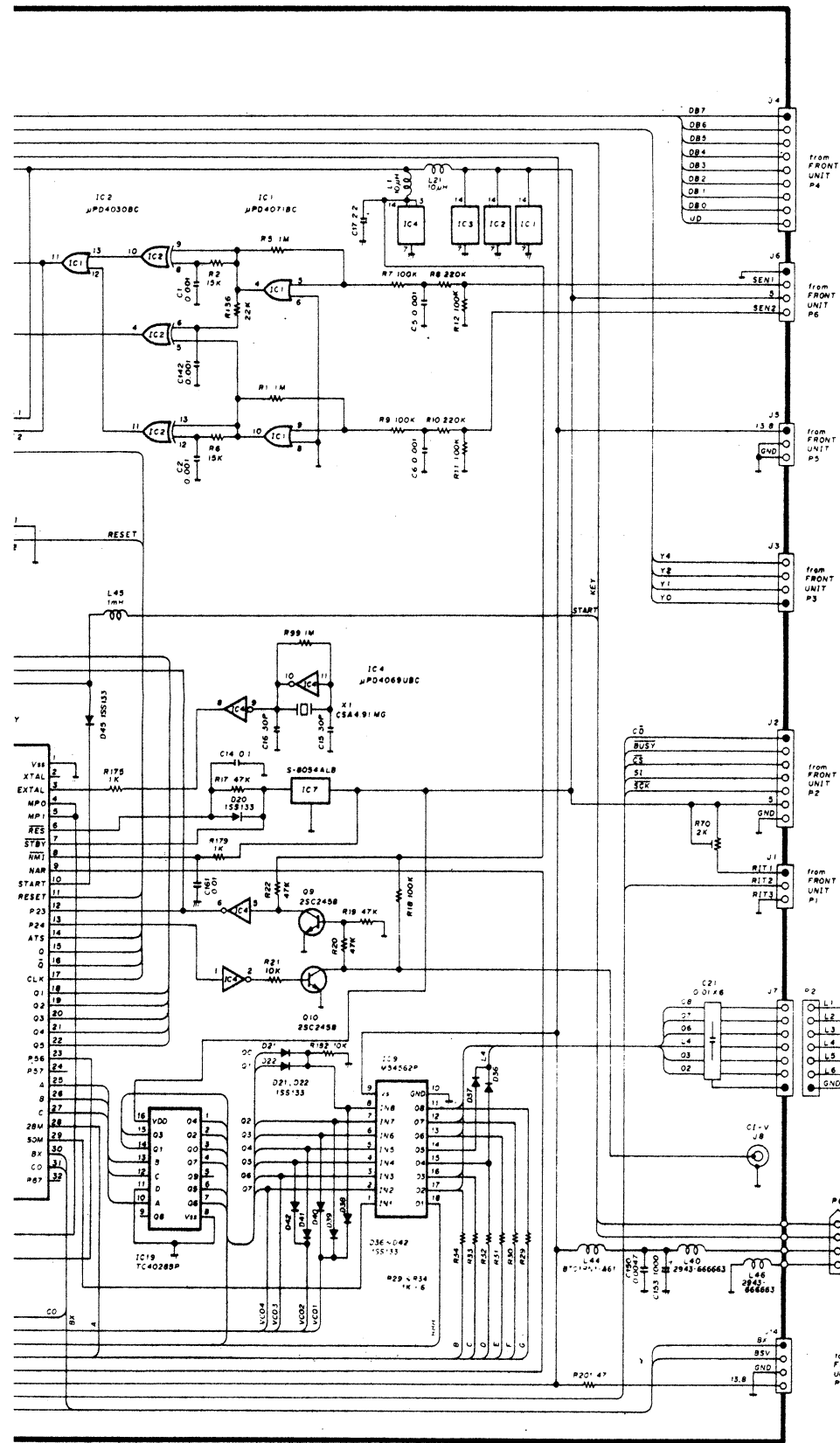
●この配線図は改良のため予告なく変更することがあります。

To upgrade quality, some components may be subject to change without notice.

A-5062S-2G

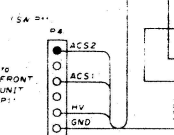
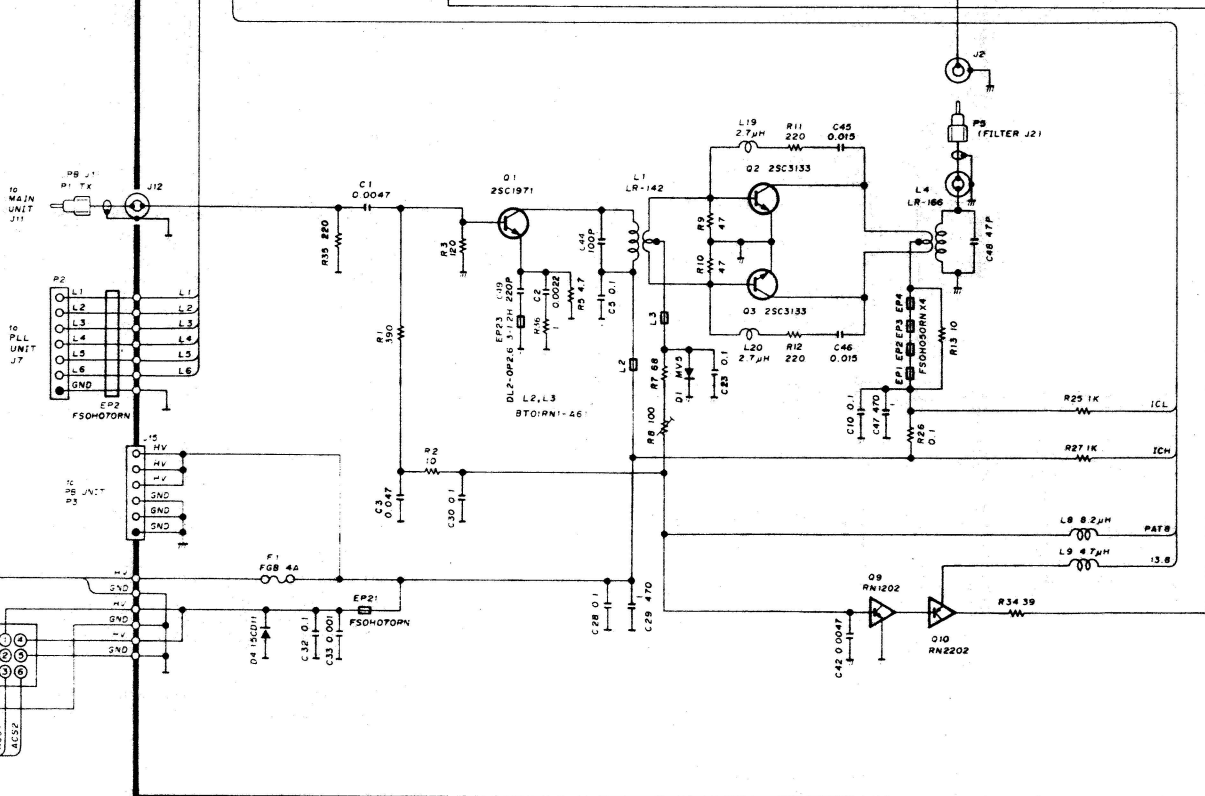
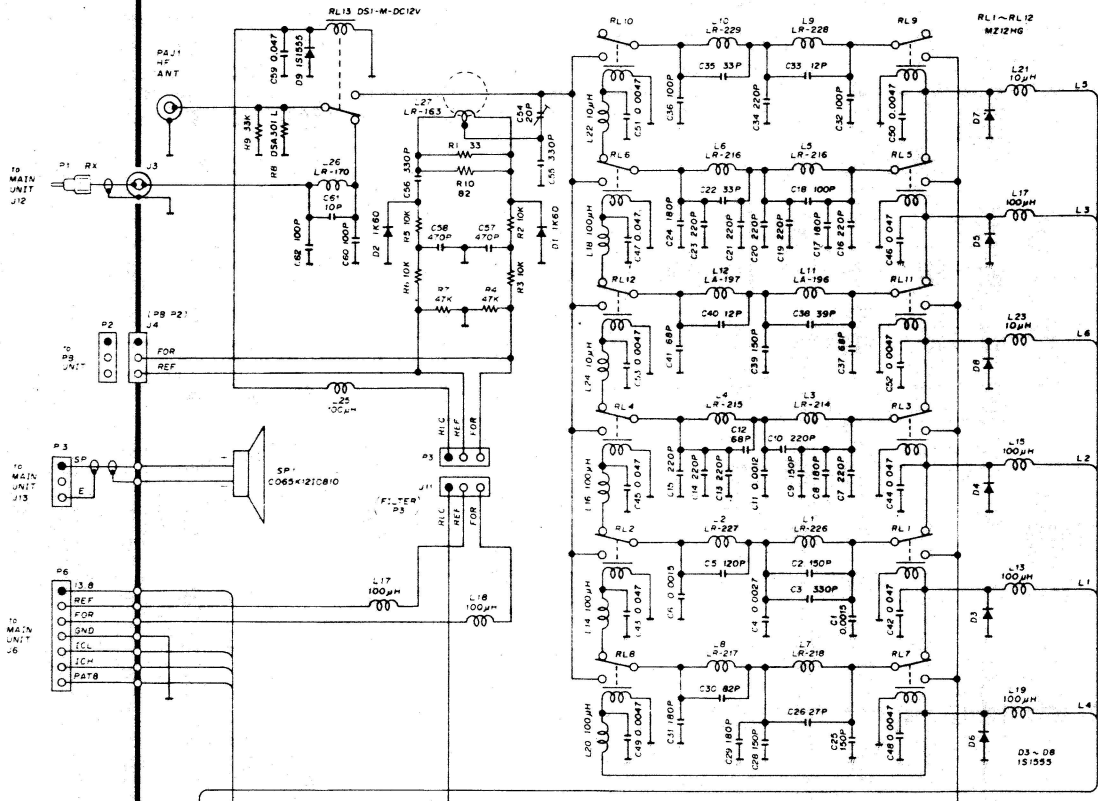
Icom Inc.







# PA UNIT (10W)



# Modifications

general cov tx

IC 721/726

cut R174

D5

W55

IC 721

30kHz  $\rightarrow$  33kHz RX

1.6 MHz  $\rightarrow$  33MHz TX

IC 726

50  $\rightarrow$  54MHz RX

46.2  $\rightarrow$  61.1 RX