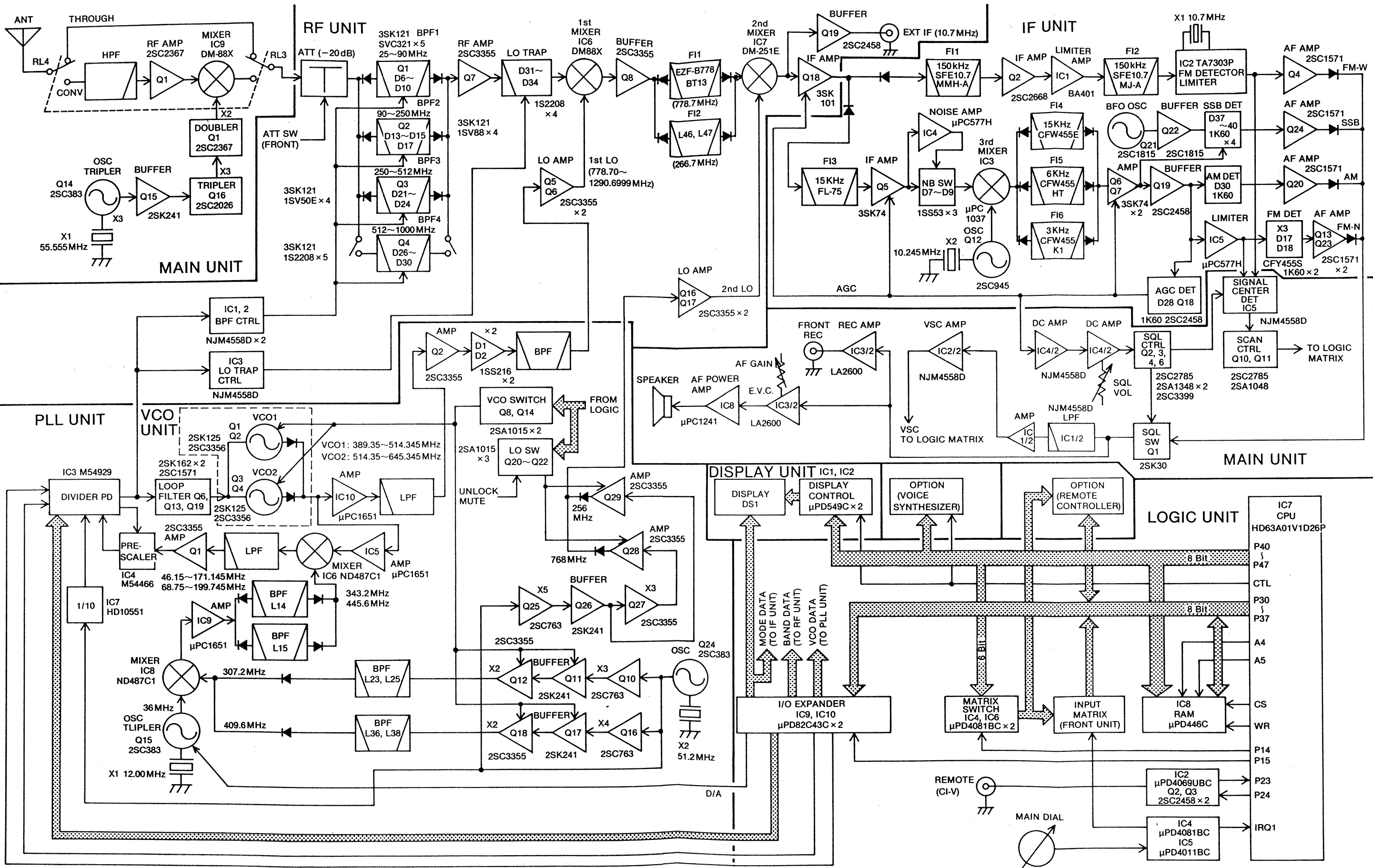
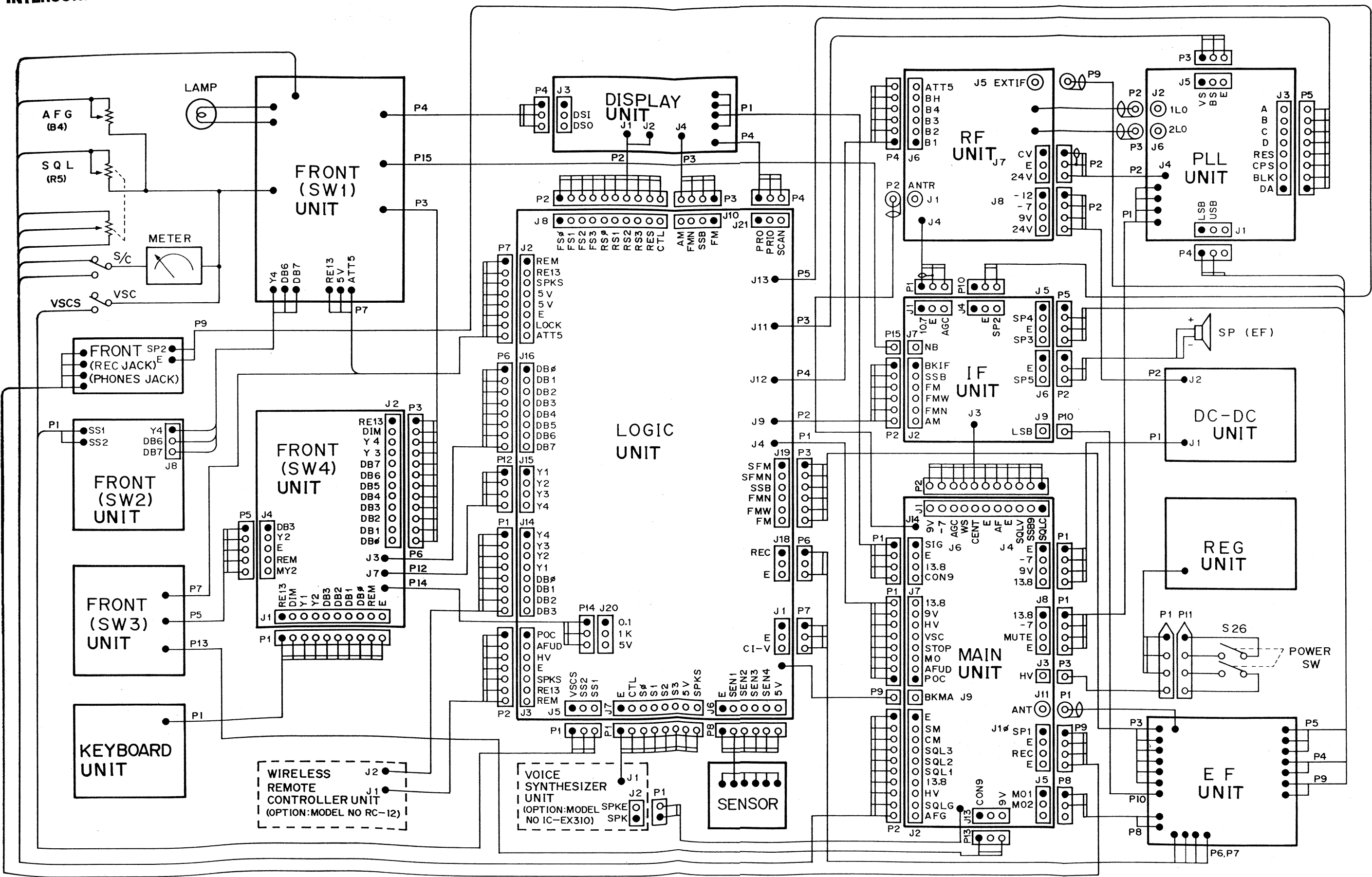
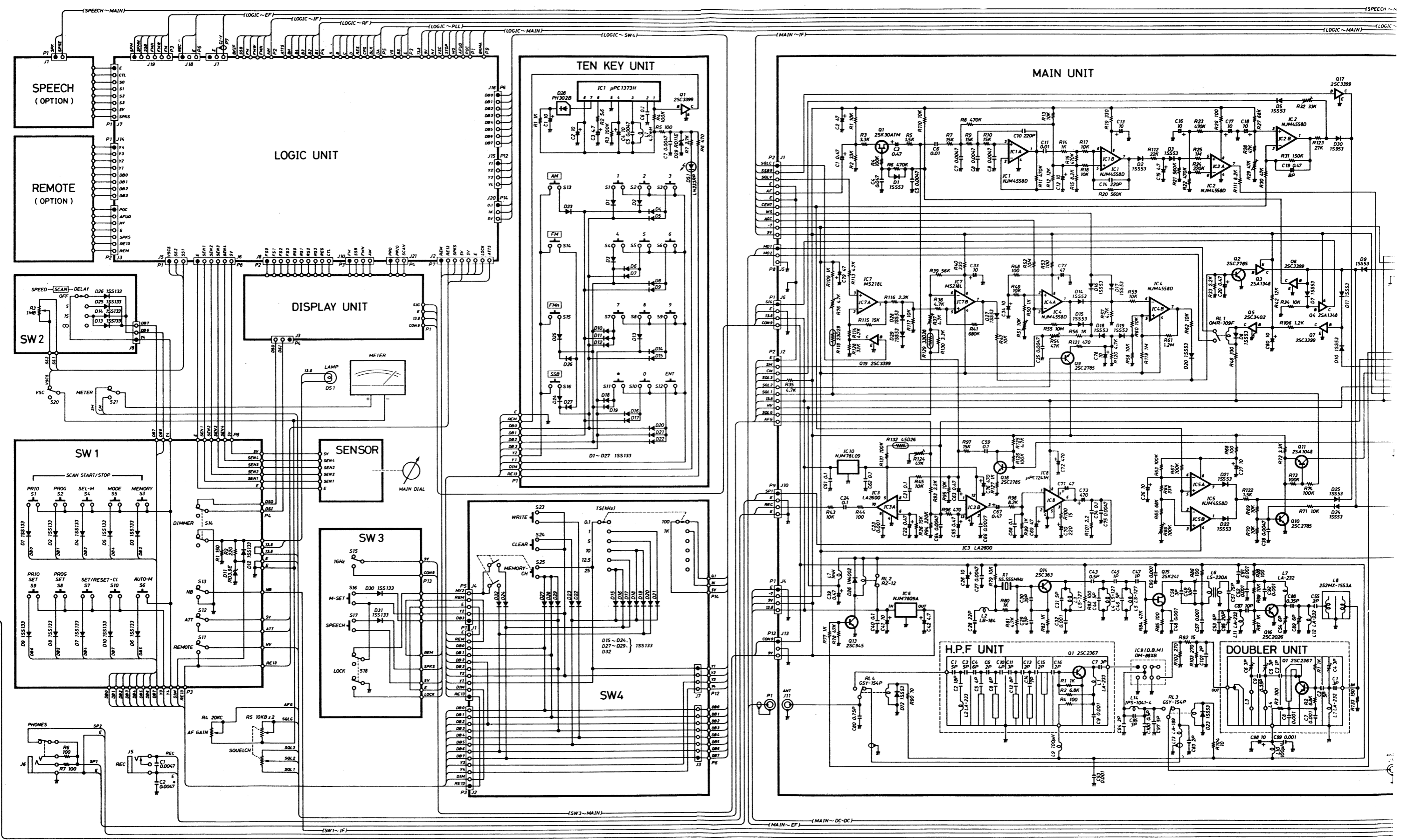


**SECTION 3 BLOCK DIAGRAM**



7-1 INTERCONNECTION





TEN KEY UNIT

MAIN UNIT

LOGIC UNIT

DISPLAY UNIT

SENSOR

SW3

SW4

H.P.F. UNIT

DOUBLER UNIT

SPEECH (OPTION)

REMOTE (OPTION)

SW2

SW1

PHONES

5XK POWER

(SW3~MAIN)

(MAIN~EF) (MAIN~DC-DC)

(SW1~IF)

(LOGIC~SW4)

(MAIN~IF)

(LOGIC~MAIN) (LOGIC~IF)

(SPEECH~MAIN)

(LOGIC~EF)

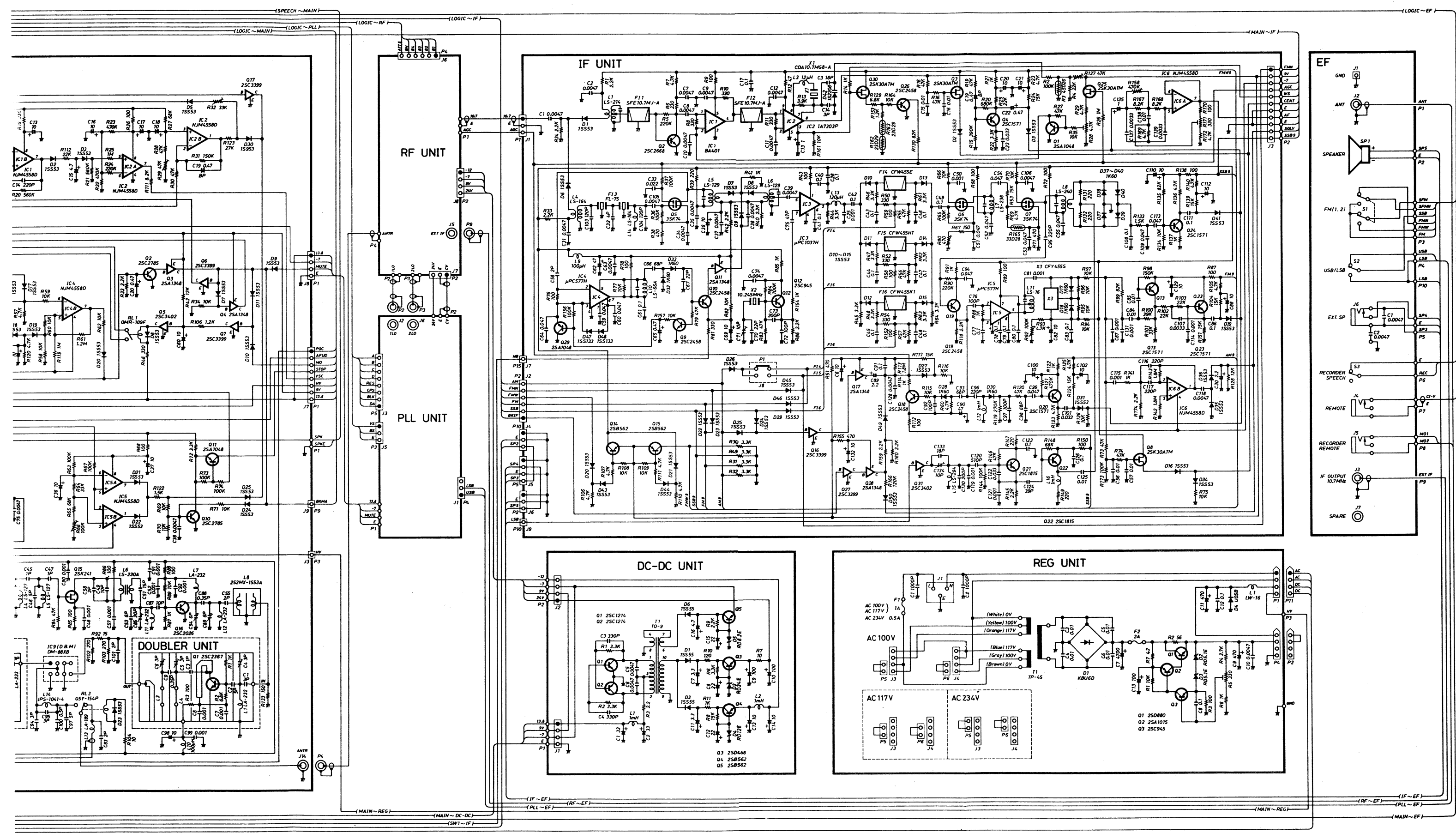
(LOGIC~IF)

(LOGIC~RF)

(LOGIC~PLL)

(LOGIC~MAIN)

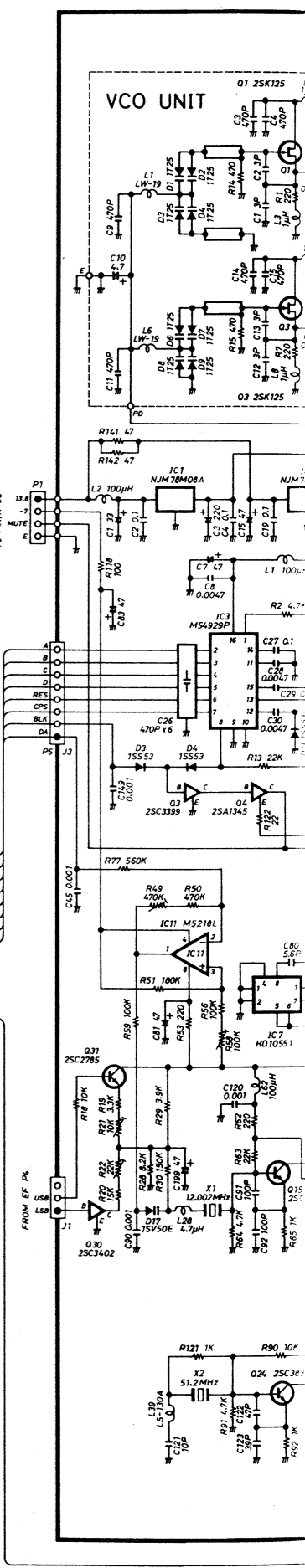
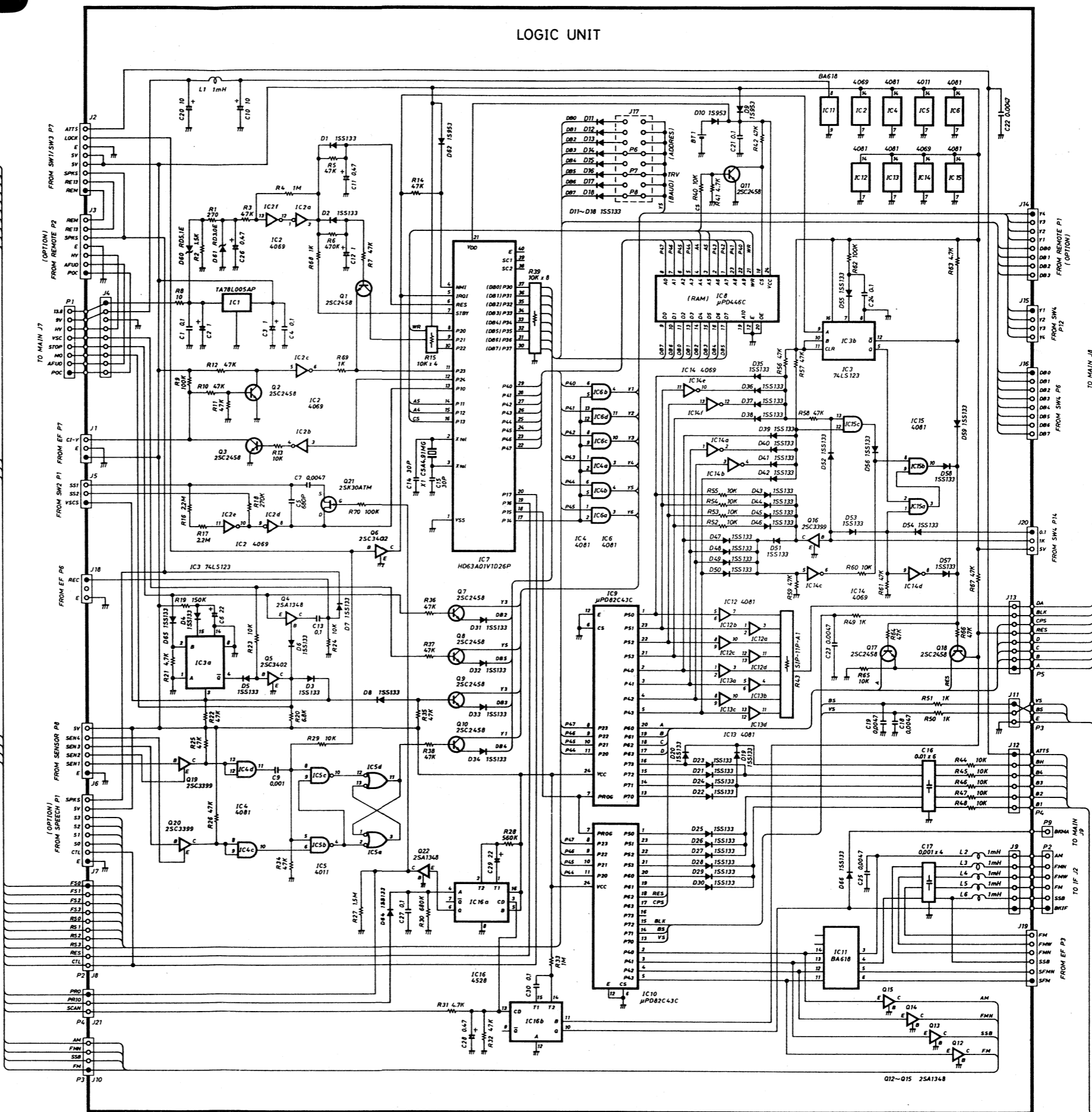
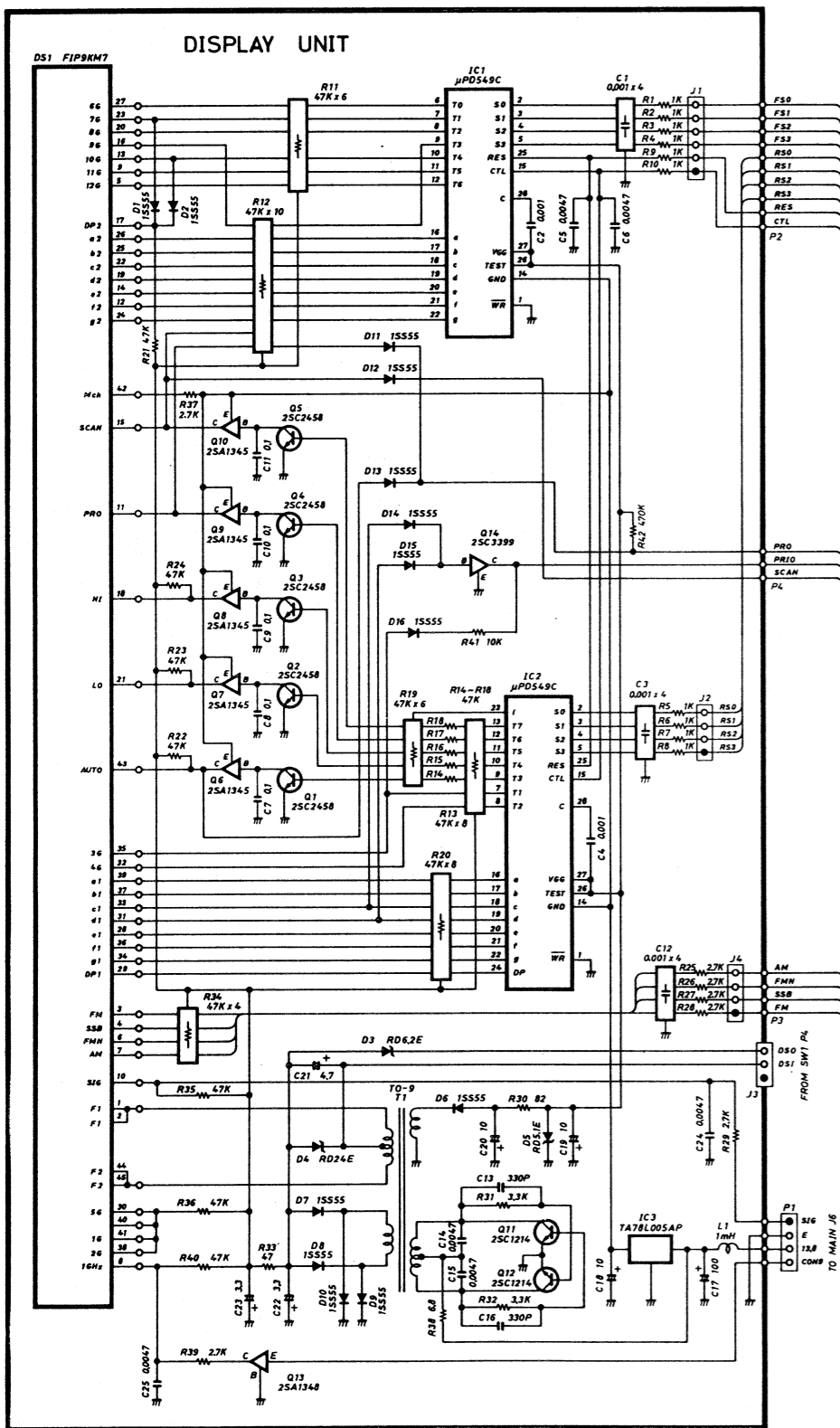
(SPEECH~IF)

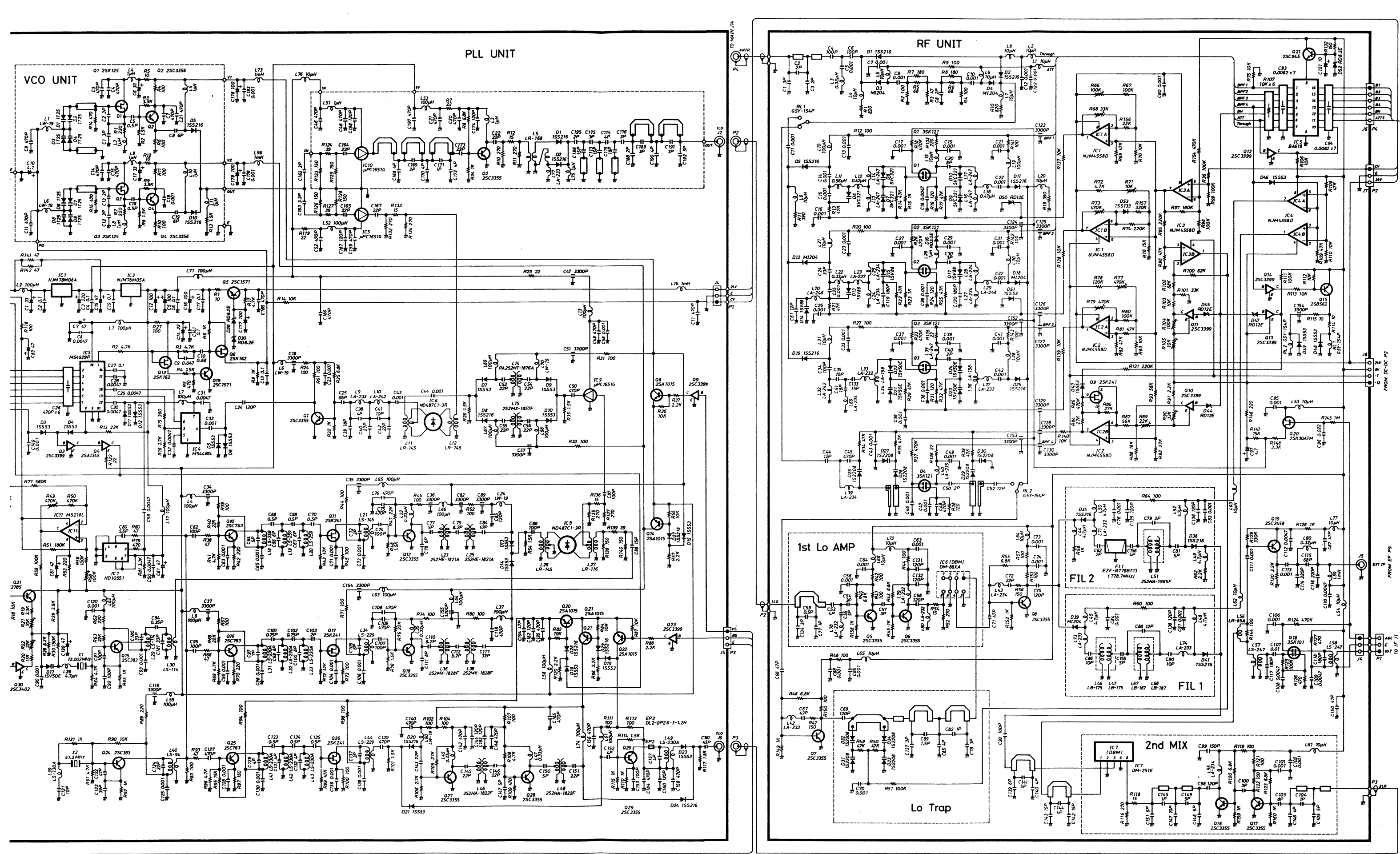


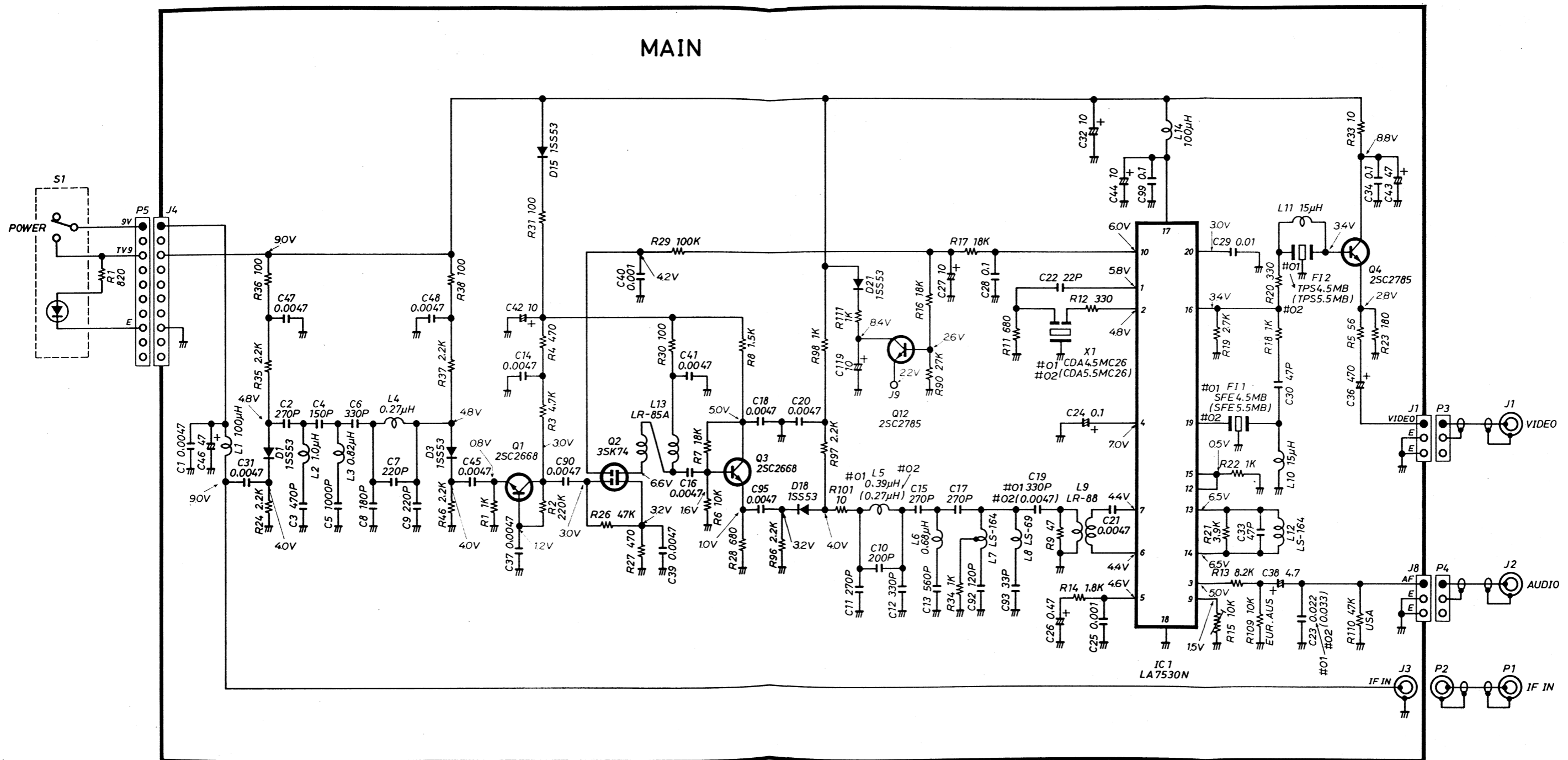


# IC-R7000

# SCHEMATIC DIAGRAM

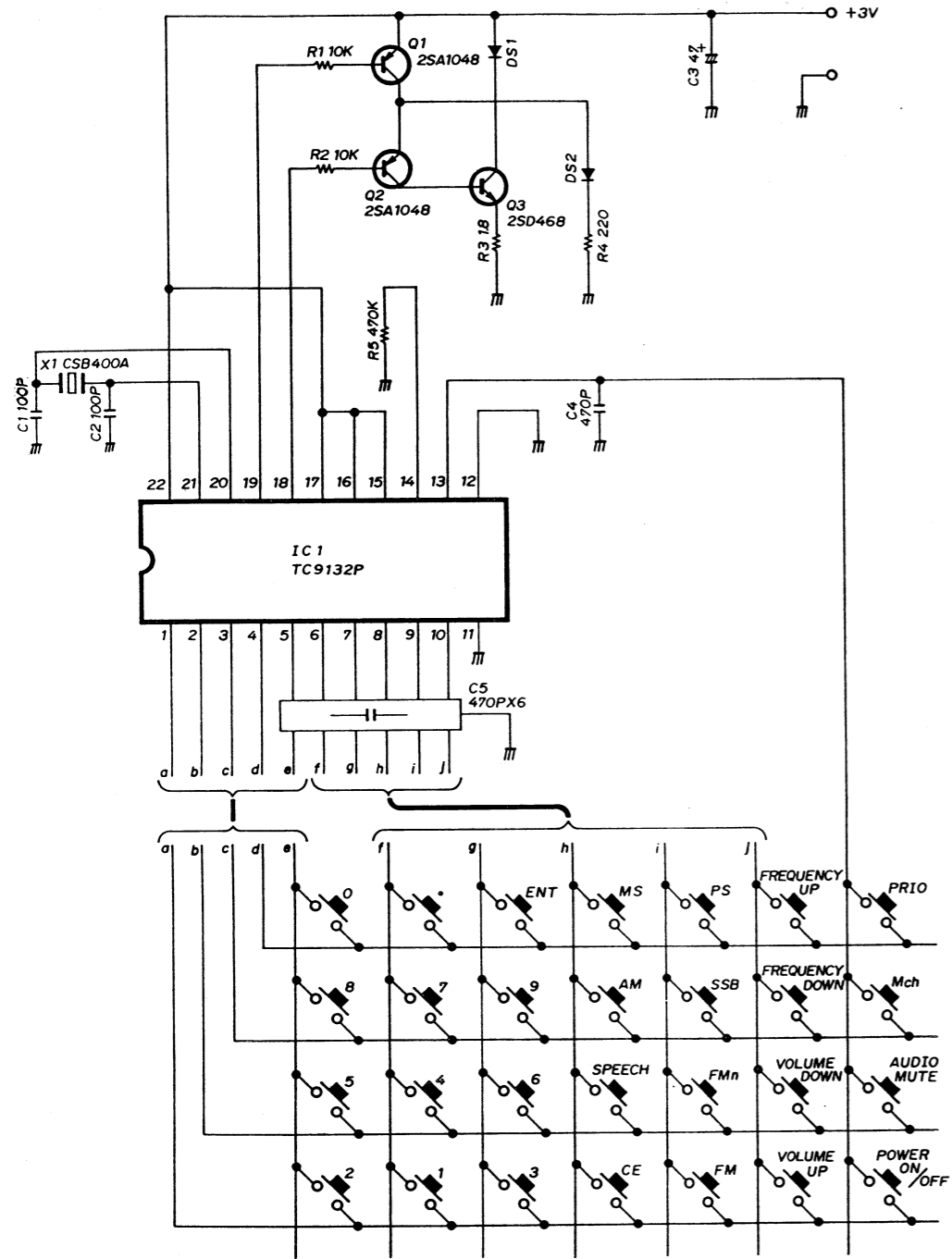




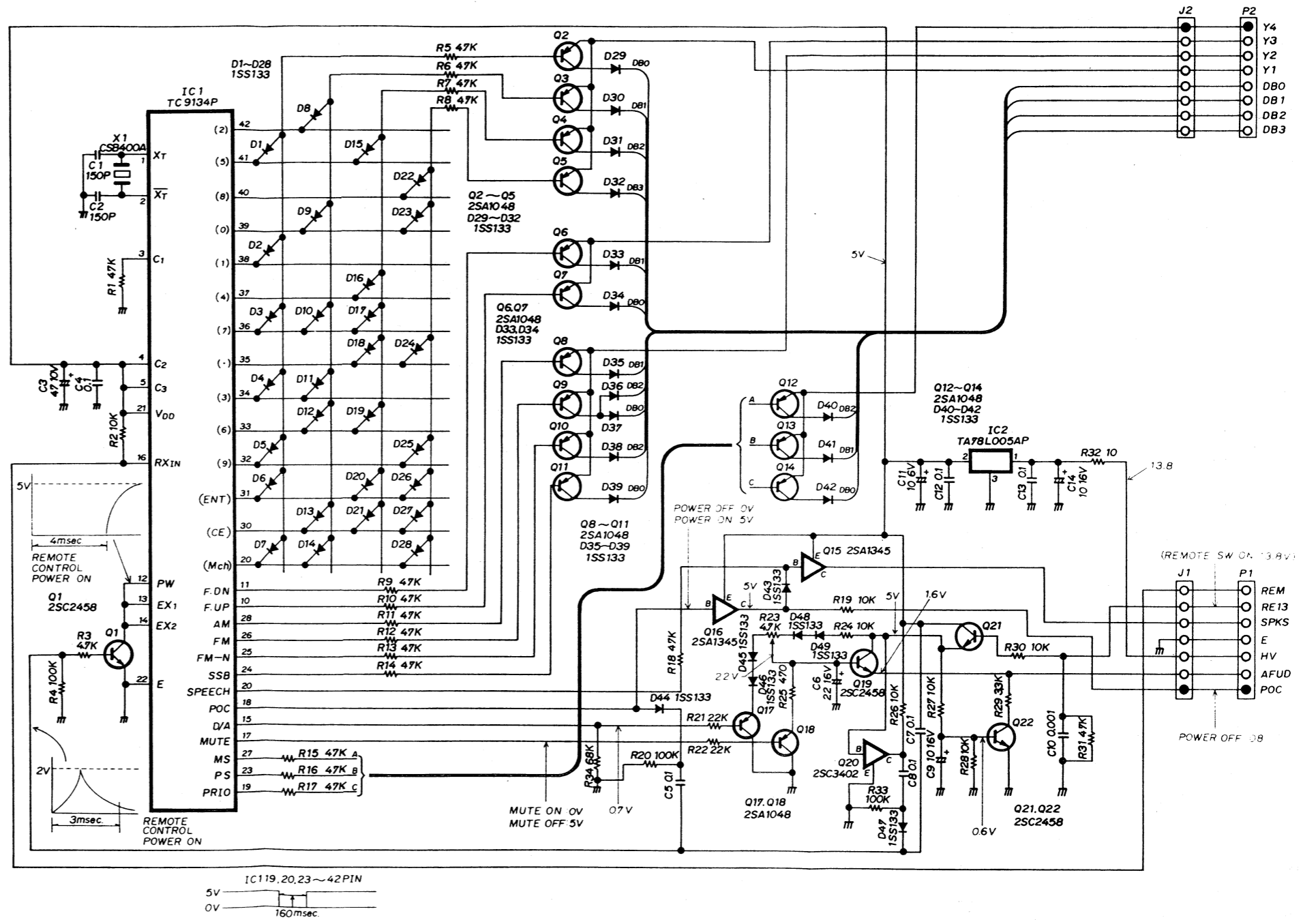


CODE NO.	VERSION	VIDEO CARRIER INPUT FREQUENCY	AUDIO INTERMEDIATE FREQUENCY
#01	U.S.A.	15.2MHz	4.5MHz
#02	EUROPE AND AUSTRALIA	16.2MHz	5.5MHz

9-3 RC-12 (OPTION)  
 • TRANSMITTER UNIT



• CONTROLLER UNIT

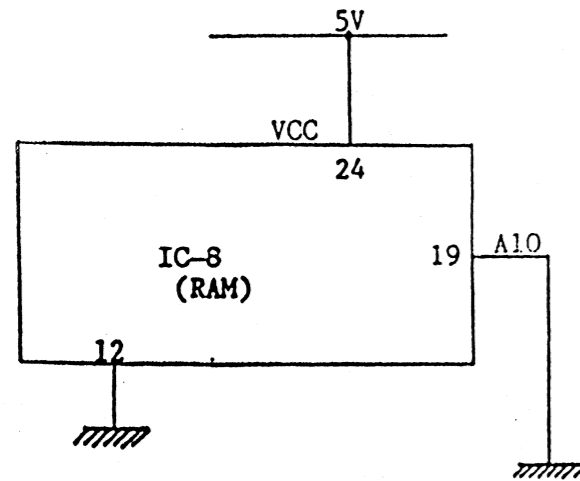




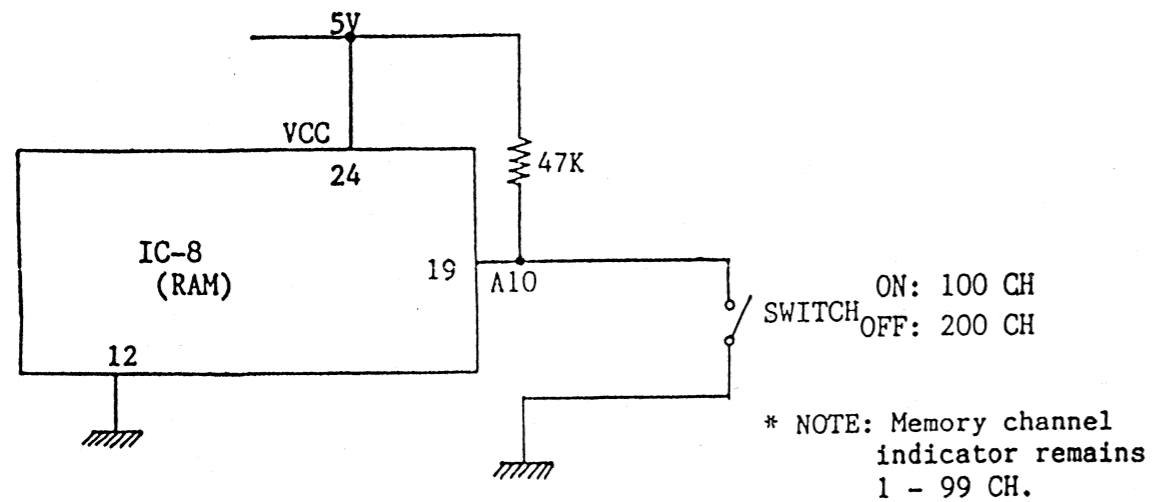
**IC-R7000 - 200 MEMORY CHANNELS**

The number of memories can be increased with this modification.

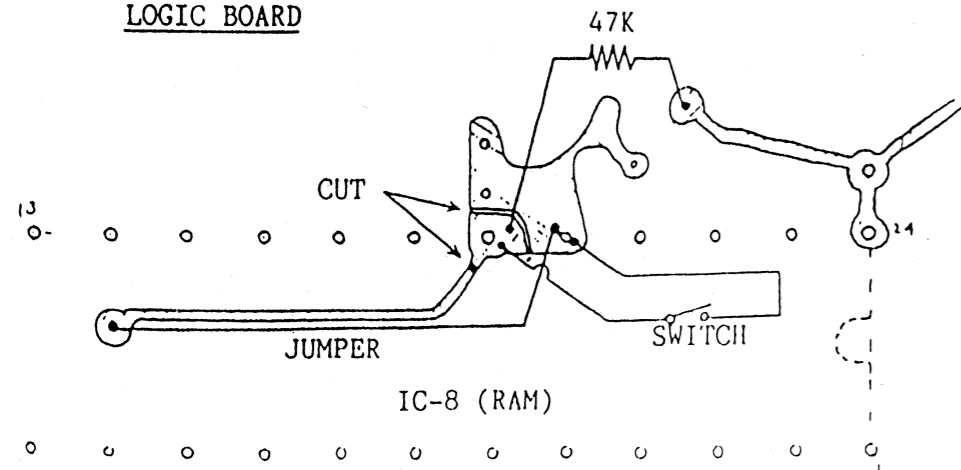
**BEFORE MODIFICATION**



**AFTER MODIFICATION**



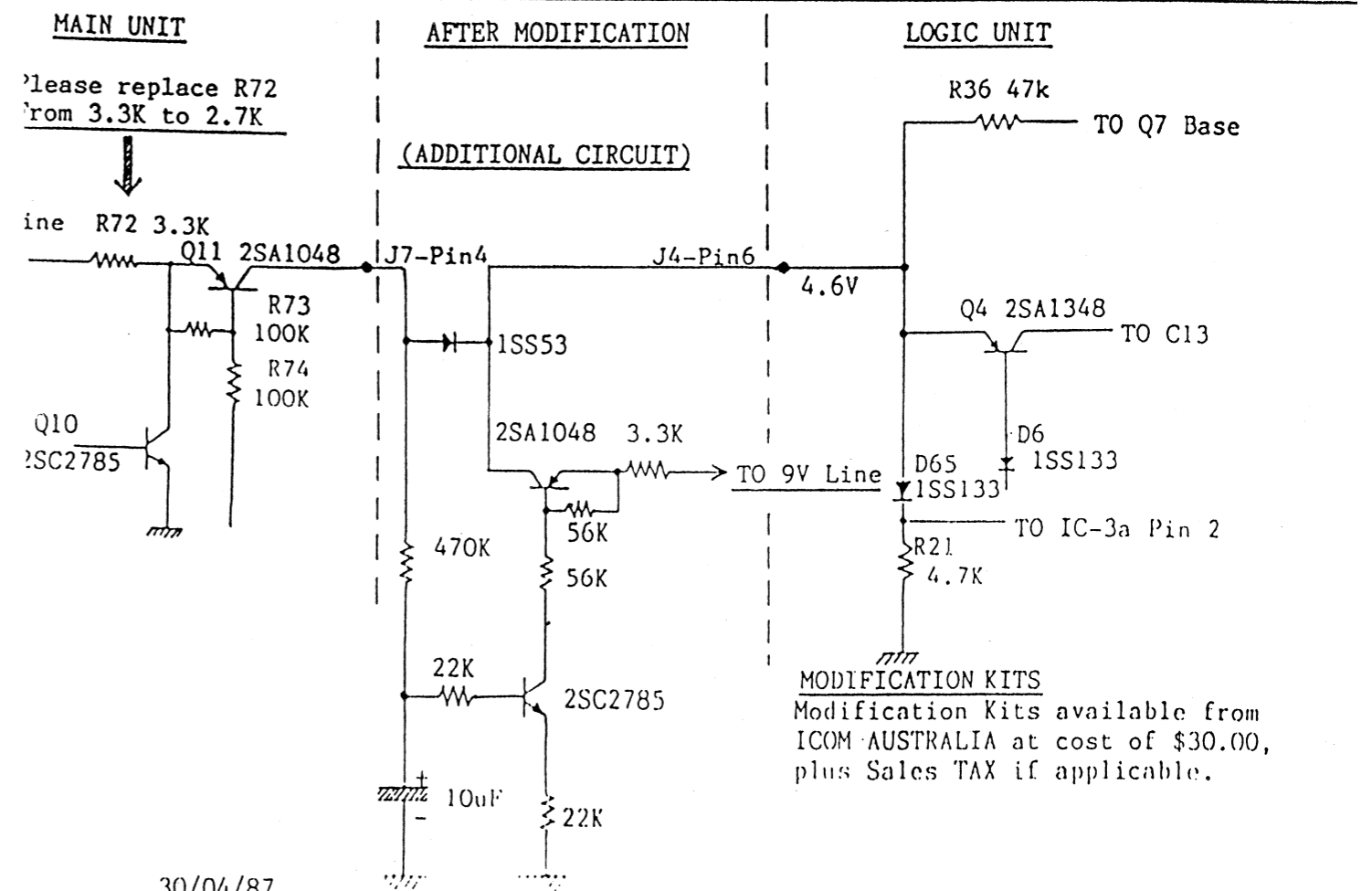
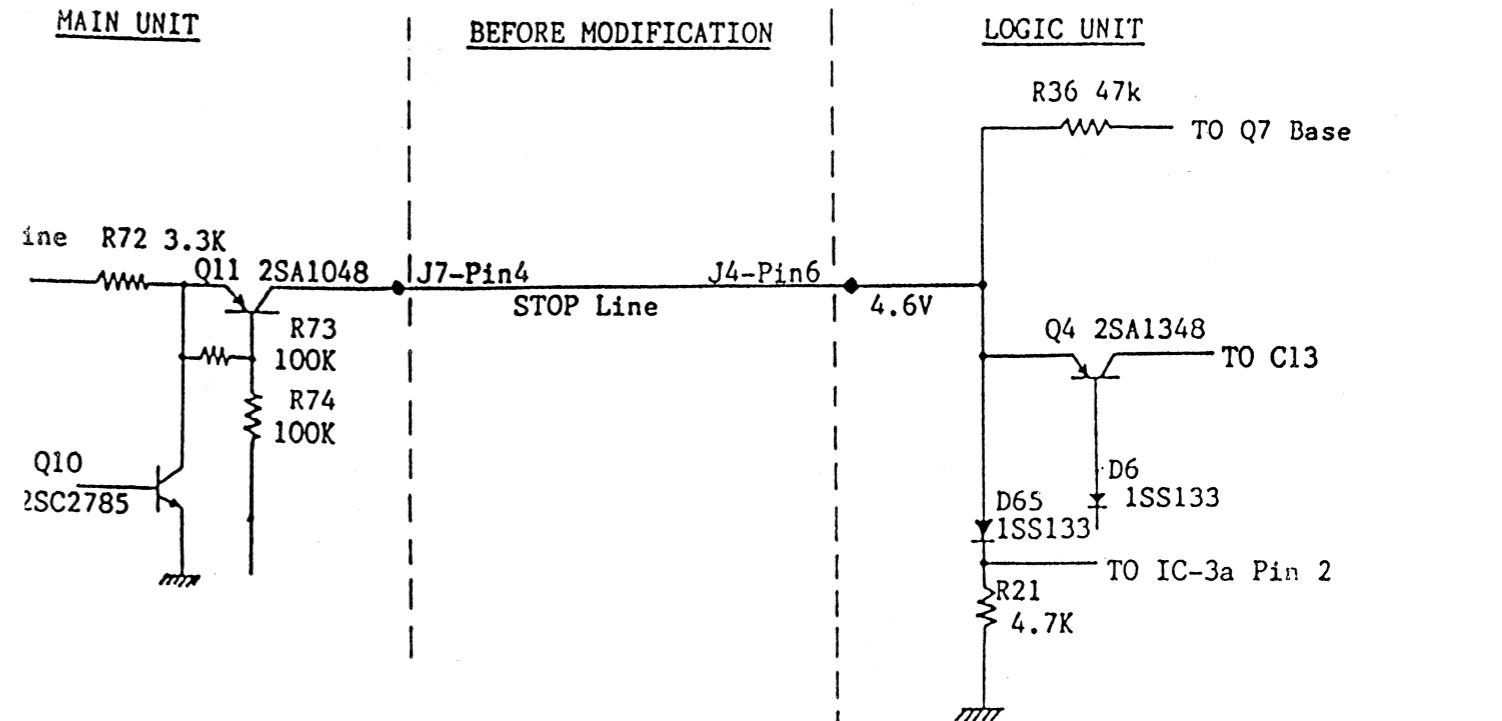
**LOGIC BOARD**



30/04/87

**IC-R7000 - SCAN DELAY**

The scanning can be made to delay for four (4) seconds after the closing of the squelch by this circuit modification.



30/04/87

**MODIFICATION KITS**  
Modification Kits available from ICOM AUSTRALIA at cost of \$30.00, plus Sales TAX if applicable.