

### RADIO SHACK LIMITED WARRANTY

This product is warranted against defects for 90 days from date of purchase from Radio Shack company-owned stores and authorized Radio Shack franchisees and dealers. Within this period, we will repair it without charge for parts and labor. Simply **bring your Radio Shack sales slip** as proof of purchase date to any Radio Shack store. Warranty does not cover transportation costs. Nor does it cover a product subjected to misuse or accidental damage.

**EXCEPT AS PROVIDED HEREIN, RADIO SHACK MAKES NO WARRANTIES, EXPRESS OR IMPLIED, INCLUDING WARRANTIES OF MERCHANTABILITY AND FITNESS FOR A PARTICULAR PURPOSE.** Some states do not permit limitation or exclusion of implied warranties; therefore, the aforesaid limitation(s) or exclusion(s) may not apply to the purchaser.

This warranty gives you specific legal rights and you may also have other rights which vary from state to state.

**We Service What We Sell**

RADIO SHACK. A DIVISION OF TANDY CORPORATION

U. S. A.: FORT WORTH, TEXAS 76102  
CANADA: BARRIE, ONTARIO L4M 4W5

TANDY CORPORATION

AUSTRALIA

91 KURRAJONG ROAD,  
MOUNT DRUITT, N.S.W. 2770

BELGIUM

PARC INDUSTRIEL DE NANINNE  
5140 NANINNE

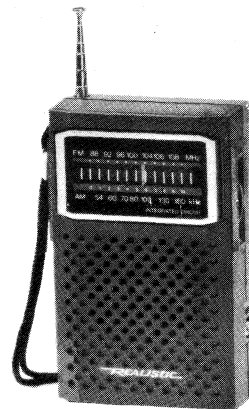
U. K.

BILSTON ROAD WEDNESBURY  
WEST MIDLANDS WS10 7JN

6A3

Printed in Hong Kong

## AM/FM POCKET PORTABLE RADIO



PLEASE READ BEFORE  
USING THIS EQUIPMENT

**REALISTIC**

Cat. No.  
12-634A

CUSTOM MANUFACTURED FOR  
RADIO SHACK. A DIVISION OF TANDY CORPORATION

Your new Realistic AM/FM Pocket Radio has been carefully designed to give you many years of reliable and enjoyable service. It incorporates 1 IC, 6 transistors and 3 diodes. All you have to do is install the battery and you're ready to enjoy your sensitive Radio.

## BATTERY INSTALLATION

Remove the battery door by gently pushing the "BATTERY" tab (at the rear of the case), in and downward. Snap a 9-volt battery onto the battery connector as indicated in the diagram in the compartment. We recommend Radio Shack's battery, Catalog Number 23-583, for reliability and long life. Replace the battery door.

When sound becomes weak and/or distorted, it's time for a new battery. Use either our Catalog Number, 23-583 or 23-553 for extra-long-life. Never leave weak or dead batteries in any battery-powered device. Even "leakproof" types can leak damaging chemicals.

## OPERATION

1. Turn On-Off/VOLUME upward to turn Radio on.
2. Set AM/FM slide switch (on back) to the desired band.
3. Adjust TUNING for the desired station.
4. Set VOLUME to suit your taste.

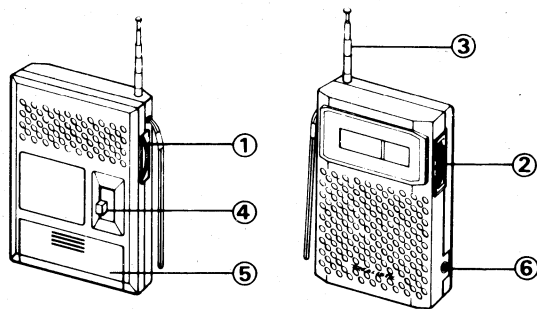
## NOTES

For FM reception, extend the telescopic antenna to its full length.

For AM reception, the built-in high-efficiency ferrite loopstick antenna will pick up even weak and distant stations (telescopic antenna not needed). You will notice that AM reception is affected by moving and rotating the Radio. This is normal — position it for best reception.

## EARPHONE JACK

For private listening, insert the plug of the earphone into the EARPHONE Jack; the built-in speaker will automatically be disconnected.



- |                          |                  |
|--------------------------|------------------|
| 1. On-Off/VOLUME control | 4. AM/FM switch  |
| 2. TUNING control        | 5. BATTERY cover |
| 3. Antenna               | 6. EARPHONE jack |

## TIPS

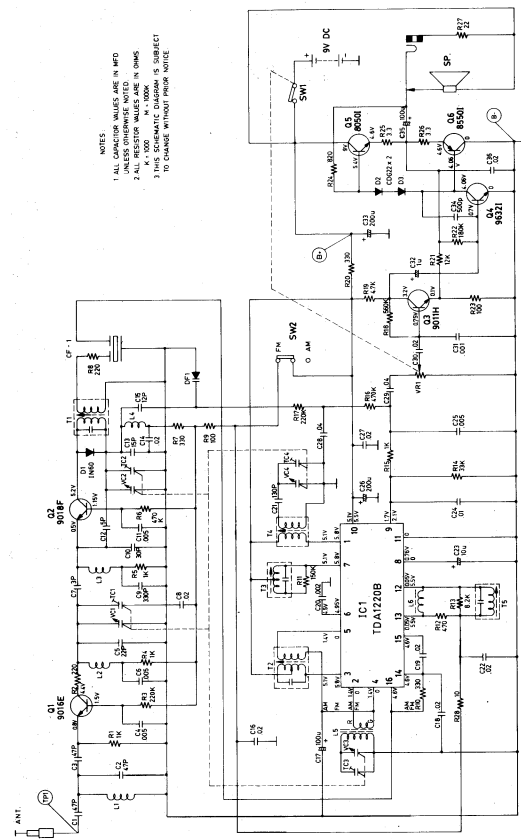
Excessive heat can damage your radio; avoid leaving it in high temperature areas such as in direct sunlight, a closed auto or on a heated surface.

Replace used battery with a fresh one when sound begins to fade or becomes distorted. If you feel your radio needs servicing, check it first with a fresh battery. The old battery may be weak or defective. If you are not going to use the Radio for a few weeks or months, remove the battery before storing.

Radios are sensitive to direction. For clearer reception rotate the radio to different positions. Inside steel or concrete buildings, place the radio near a window for better reception.

Correct FM tuning is very important for good sound. Make sure your radio is correctly tuned. In weaker reception areas, extend antenna to its full length.

# SCHEMATIC DIAGRAM



NOTES:  
1. ALL CAPACITOR VALUES ARE IN PFD UNLESS OTHERWISE NOTED.  
2. ALL RESISTOR VALUES ARE IN OHMS UNLESS OTHERWISE NOTED.  
3. THIS SCHEMATIC CONTAINS SUBJECT TO CHANGE WITHOUT NOTICE.

Schematic subject to change without notice. For most accurate Schematic (and parts) contact Radio Shack, National Parts Dept., Fort Worth, TX 76101

In U. K., Contact Tandy Electronics, National Parts Dept., Bilston Road, Wednesbury, West Midlands, WS10 7JN.

In Australia, contact Tandy Corp. (Australian branch), National Parts Dept., 91 Kurrajong Road, Mount Druitt, N.S.W. 2770.