

OWNER'S MANUAL

Cat. No. 22-195A

LCD BENCHTOP DIGITAL MULTIMETER

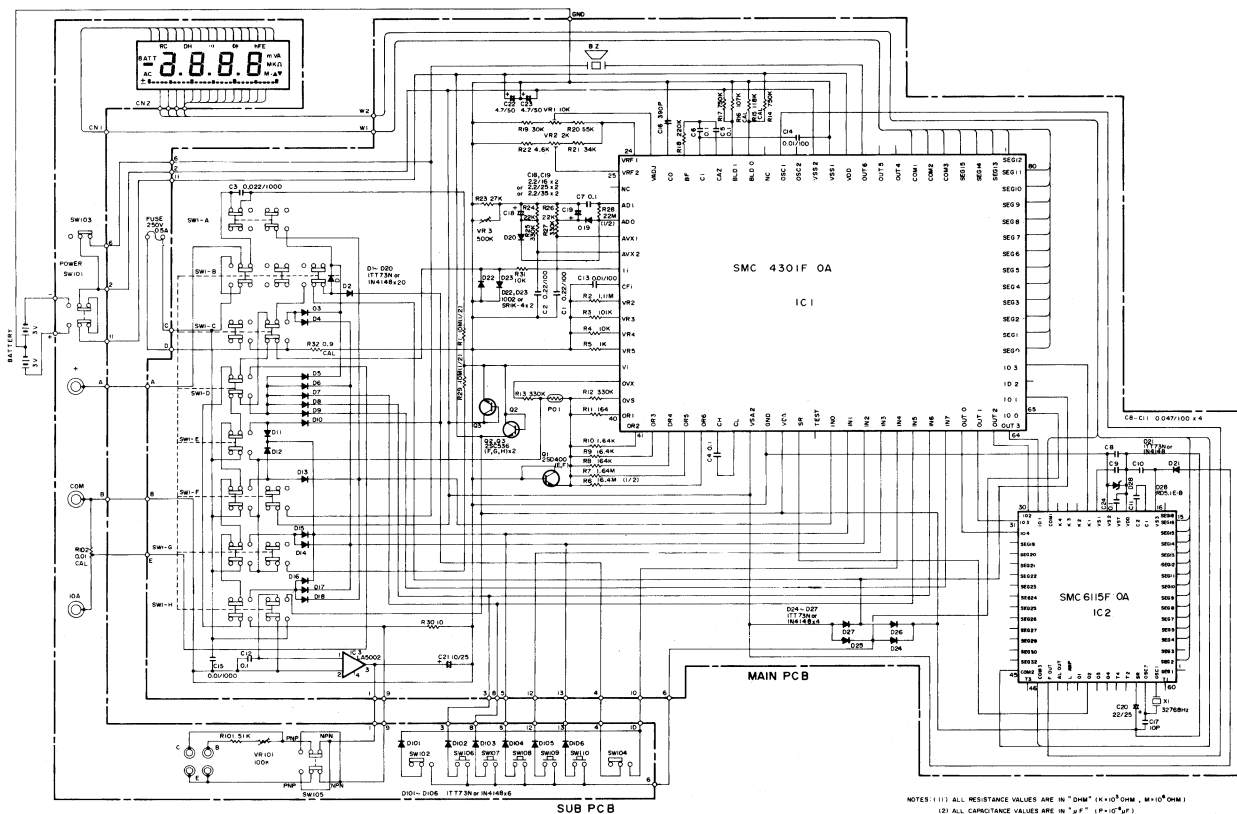
PLEASE READ BEFORE OPERATING THIS EQUIPMENT



*TRADEMARKS OF TANDY CORPORATION

MICRONTA®*

SCHEMATIC DIAGRAM



Schematic subject to change without notice.

For most accurate Schematic (and parts) contact Radio Shack, National Parts Dept., Fort Worth TX 76101.

In Australia, contact Tandy Australia Limited, National Parts Dept., 91 Kurrajong Avenue, Mount Druitt, N.S.W. 2770

and in UK, National Parts Dept., Bilston Road, Wednesbury, West Midlands, WS10 7JN.