

Cordless Stereo Headphone System

Operating Instructions page 2 _____ ■

Mode d'emploi page 12 _____ ■

Manual de instrucciones página 22 _____ ■

MDR-IF130K

WARNING

To prevent fire or shock hazard, do not expose the unit to rain or moisture.

To avoid electrical shock, do not open the cabinet. Refer servicing to qualified personnel only.

WARNING

You are cautioned that any changes or modifications not expressly approved in this manual could void your authority to operate this equipment.

Owner's Record

The model number is located on the top of the transmitter and on the headphone housing.

The serial number is located at the bottom of the transmitter and the inner side of the headband.

Record these numbers in the spaces provided below. Refer to them whenever you call upon your Sony dealer regarding this product.

Model No. MDR-IF130K

Transmitter TMR-IF130

Headphones MDR-IF230

Serial No.

Transmitter _____

Headphones _____

Welcome!

Thank you for purchasing the Sony MDR-IF130K Cordless Stereo Headphone System. Before operating the unit, please read this manual thoroughly and retain it for future reference.

Some features are:

- Cordless system that allows you to listen to a program free from the restriction of a cord.
- Broad horizontal listening area that gives you superb sound virtually anywhere in the room.
- Self-adjusting headband for fitting your head perfectly.
- The VOL control adjusts the volume level of both channels.
- The power of the headphones turns on and off automatically every time you put the headphones on and off (Auto power on/off function).

Table of contents

Getting started

Unpacking	4
Setting up the transmitter	4
Setting up the headphones	6

Operating the system

Listening to a program	7
The effective areas of the transmitter	8
Replacing the ear pads	8

Additional information

Precautions	9
Troubleshooting	10
Specifications	11

Unpacking

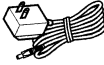
Check that you have the following items:

- Transmitter



TMR-IF130

- AC power adaptor



- Connecting cord (phono plugs ↔ stereo mini plug)



- Headphones

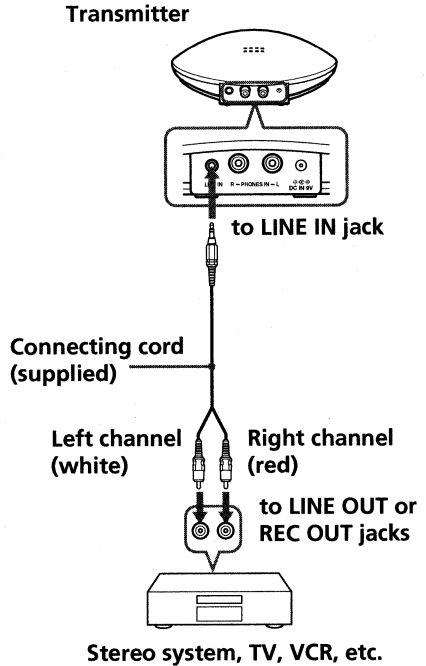


MDR-IF230

Setting up the transmitter

- 1 Connect the transmitter to audio/video equipment.

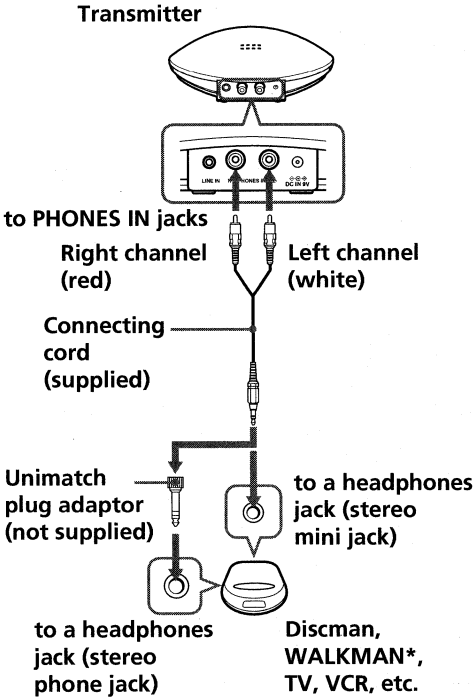
- a) When connecting to your audio/video system's LINE OUT or REC OUT jacks, connect the cord to the transmitter's LINE IN jack only.



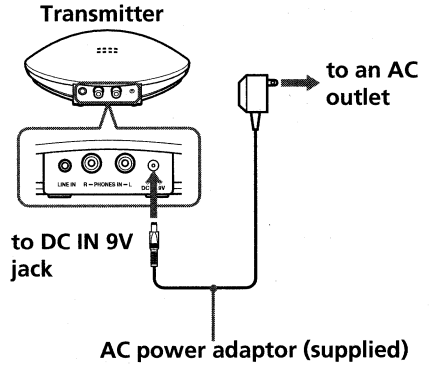
Note

If your audio/video equipment has a stereo mini jack(LINE OUT), connect the stereo mini jack(LINE OUT) to LINE IN of the transmitter by using optional connecting cord RK-G136HG. Connecting the LINE OUT jack of your audio/video equipment to PHONES IN of the transmitter will cause low or muffled sound. To connect to PHONES IN of the transmitter with the supplied cord, use a headphones jack on the audio/video equipment.

- ⑥ When connecting to your Discman's headphones jack, connect the cord to the transmitter's PHONES IN jack only.



- 2** Connect the transmitter to a power source.



Notes

- Do not connect to the PHONES IN jacks and LINE IN jack at the same time. If you do so, the audio signals may be mixed.
- Use only the supplied AC power adaptor. Do not use any other AC power adaptor.

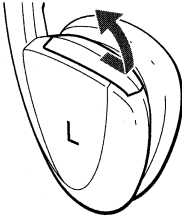


- When you connect the connecting cord directly to an earphone jack, the audio signal will not be output through the right channel. In such a case, use the separately sold PC-236HG plug adaptor.

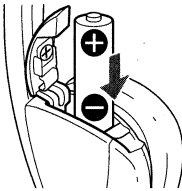
* WALKMAN is a registered trademark of Sony Corporation.

Setting up the headphones

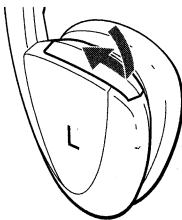
- 1 Open the battery compartment lid on top of the left housing.



- 2 Insert one R6 (size AA) battery by matching the + on the battery to the + terminal on the lid.

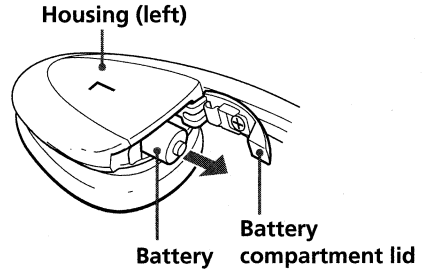


- 3 Close the battery compartment lid.



Removing the battery

Open the battery compartment lid, while keeping the housing level and remove the battery from the battery compartment as illustrated below.



Battery life

Battery	Approx. hours
Sony alkaline battery LR6/AM3 (N)	100
Sony battery R6P/SUM-3 (NS)	50

When to replace the battery

Replace the battery with new one when the POWER indicator on headphone dims, and a hissing noise increases.

► Operating the system

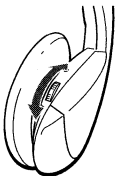
Listening to a program

- 1 Turn on the audio/video equipment connected to the transmitter.
When the audio signals is input, the transmitter turns on automatically and the infrared emitters glow. If the transmitter is connected to the headphone jack, **set the volume control of the audio source equipment as high as possible but not so high that the audio signal gets distorted. (Around level 5 or 6 on the volume control should be appropriate.)**

- 2 Put on the headphones and the power turns on automatically. The power indicator glows red when the power turns on.



- 3 Adjust the volume.



Auto power on/off function

When you remove the headphones, the power turns off automatically. Do not pull up the self adjusting band when not using the headphones, otherwise the headphones will be switched on.



Mute function

If a hissing noise is heard when the infrared rays are obstructed, or the headphones are used outside of the effective range (see the next section), the mute function will be activated and the sound will not be heard from the headphones. To restore the sound, move nearer toward the transmitter or remove the obstruction.

When no audio signal is received at the transmitter input for more than approximately five minutes

The transmitter will be turned off automatically.

After listening to a program

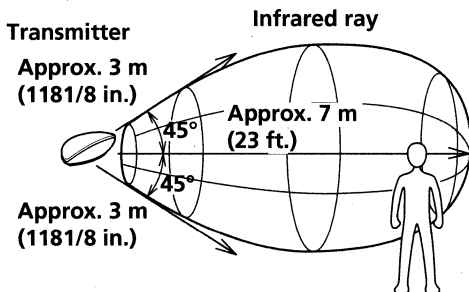
Take the headphones off before the transmitter turns off. Otherwise you may hear some noise when the infrared rays are suddenly cut off.

Note

The infrared emitters light up when the transmitter is turned on. The brightness of the emitters may not be uniform, however, this is not a malfunction.

The effective areas of the transmitter

The illustration below shows the approximate area covered by the infrared rays emitted from the transmitter.



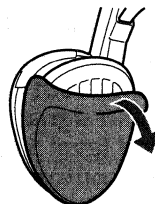
Notes

- If you use the headphones at too great a distance from the transmitter, you may hear a hissing noise and if there is an object between the receiver and the transmitter, the sound may be interrupted. These phenomena are inherent to infrared ray communication and do not mean that there is a problem with the unit itself.
- The infrared rays will not penetrate walls or opaque glass, therefore, be sure to stay within sight of the transmitter.
- When you use the headphones inside the area illustrated in the diagrams, the transmitter can be placed in the front, behind or by the side of the listener.

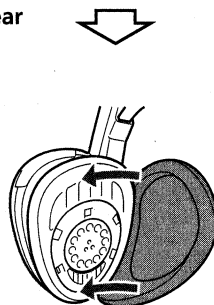
Replacing the Ear Pads

When the ear pads become dirty or damaged, consult your nearest Sony dealer and replace them as illustrated below.

Remove the old ear pad by pulling it out.



Place the new ear pad around the driver unit as illustrated.



Precautions

- Before operating the system, check that the operating voltage of your system is identical with the voltage of your local power supply.
- The CE mark on the unit is valid only for products marketed in the European Union.
- When the headphones is not to be used for a long period of time, remove the battery to avoid damage caused by battery leakage and subsequent corrosion.
- When the transmitter is not to be used for a long period of time, disconnect the AC power adaptor from the AC outlet holding the plug. Do not pull on the cord.
- Do not leave the cordless stereo headphones system in a location subject to direct sunlight, heat or moisture.

Notes on headphones

Preventing hearing damage

Avoid using headphones at high volume. Hearing experts advise against continuous, loud and extended play. If you experience a ringing in your ears, reduce the volume or discontinue use.

Caring for others

Keep the volume at a moderate level. This will allow you to hear outside sounds and to be considerate to the people around you.

If you have any questions or problems concerning the system that are not covered in this manual, please consult the nearest Sony dealer.

Be sure to bring the headphones and the transmitter to the Sony dealer when requiring repair work.

Troubleshooting

No sound/Muffled sound

- ➔ Check the connection of the audio/video equipment or the AC power adaptor.
- ➔ Check that the audio/video equipment is turned on.
- ➔ Turn up the volume on the connected audio/video equipment, if the transmitter is connected to the headphones jack. (Around level 5 or 6 on the volume control should be appropriate.)
- ➔ The mute function is activated.
 - Check if there is any object between the transmitter and the headphones.
 - Use the headphones near the transmitter.
 - Change the position and angle of the transmitter.
- ➔ The headphones' power indicator light is weak or turned off.
 - Replace the battery of the headphones.
- ➔ When the LINE OUT jack of your audio/video equipment is connected to PHONES IN jack of the transmitter, the sound will be low. Connect the LINE OUT jack to the LINE IN jack as described in "Setting up the transmitter".

Distortion

- ➔ If the transmitter is connected to the headphones jack, turn down the volume of the connected audio/video equipment. (Around level 5 or 6 on the volume control should be appropriate.)
- ➔ The headphones' power indicator light is weak or turned off.
 - Replace the battery of the headphones.
- ➔ When the headphone's jack output is connected to the LINE IN jack of the transmitter, increasing the volume of the connected audio/video equipment may cause distortion. Connect the headphones jack output instead to PHONES IN jack as described in "Setting up the transmitter".

Loud background noise

- ➔ Move closer to the transmitter. As you move away from the transmitter, more noise is likely to be heard. This is inherent to infrared ray communication and does not mean that there is a problem with the unit itself.
- ➔ Check that there is no object between the transmitter and the headphones.
- ➔ Check that the infrared sensors are not covered with your hands or hair.
- ➔ Change the position or angle of the transmitter.
 - The headphones are used by a window where the sunlight is too strong.
 - ➔ Draw the curtains/blind to shut out the direct sunlight, or use the headphones away from the sunlight.
- ➔ If the transmitter is connected to the headphones jack, turn up the volume of the connected audio/video equipment. (Around level 5 or 6 on the volume control should be appropriate.)
- ➔ The headphones' power indicator light is weak or turned off.
 - Replace the battery of the headphones.

Specifications

General

Modulation system	Frequency modulation
Carrier frequency	Right 2.8 MHz Left 2.3 MHz
Frequency response	18 – 22,000 Hz

Transmitter TMR-IF130

Power source	DC IN 9 V jack accepts power supplied from the AC power adaptor for use on the following voltages:
--------------	--

Where purchased	Operating voltage
U.S.A./Canada	120 V AC, 60 Hz
U.K.	230 – 240 V AC, 50 Hz
European countries	220 – 230V AC, 50 Hz
Other countries	220 – 230 V AC, 50/60 Hz or 120 V AC, 60 Hz
Japan (Except for Japanese domestic model)	220 – 240 V AC, 50 Hz

Audio input	Phono jacks/stereo mini jack
Dimensions	Approx. 152 × 38 × 72 mm (6 × 1 1/2 × 2 3/4 in.) (w/h/d)
Mass	Approx. 75 g (2.7 oz.)

Headphones MDR-IF230

Power source	DC 1.5 V, 1 × R6 (size AA) battery
Mass	Approx. 180 g (6.4 oz.) including battery

Optional accessories

Plug adaptor	PC-236HG (stereo mini jack ↔ monaural mini plug)
	PC-234HG (stereo mini jack ↔ stereo phone plug)
Connecting cords	RK-G136HG (stereo mini plug ↔ stereo mini plug)
	RK-G129HG (stereo mini plug ↔ phono plug × 2)

Design and specifications are subject to change without notice.