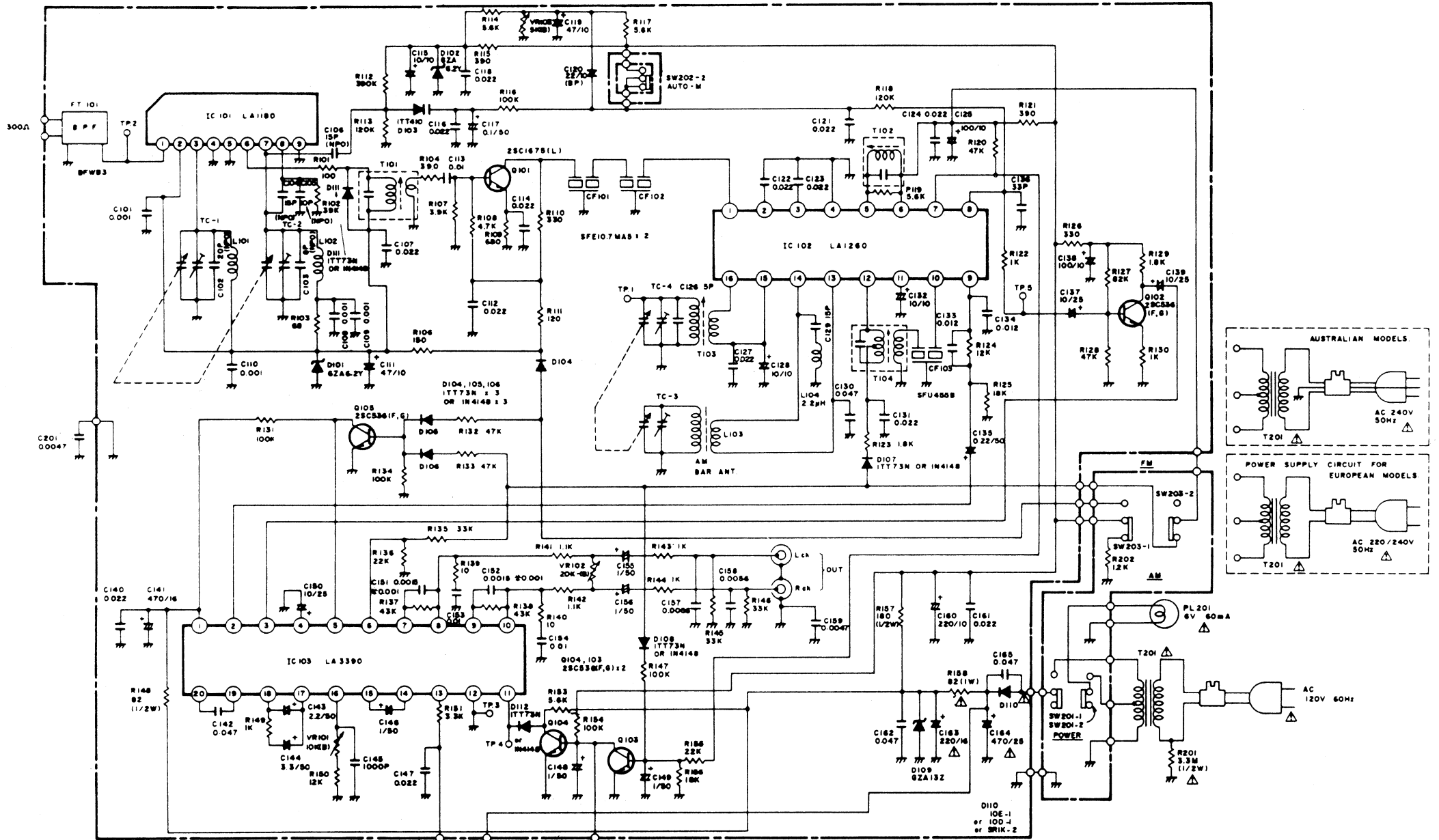


SCHEMATIC DIAGRAM



NOTES

- 1) ALL RESISTANCE VALUES ARE INDICATED IN "OHM"
(K = 10^3 OHM, M = 10^6 OHM)
- 2) ALL CAPACITANCE VALUES ARE INDICATED IN " μ F"
(P = 10^{-6} μ F).
- 3) *VALUE IN FM IF STAGE ARE USED FOR EUROPEAN AND AUSTRALIAN MODELS ONLY.

CAUTION:

Schematic subject to change without notice.

For most accurate Schematic (and parts) contact Radio Shack, National Parts Dept., Fort Worth TX 76101
In UK, contact Tandy Electronics, National Parts Dept., Bilston Road, Wednesbury, West Midlands WS10 7JN.

In Australia, contact Tandy Australia Limited, National Parts Dept., 91 Kurrajong Avenue Mount Druitt, N.S.W. 2770.