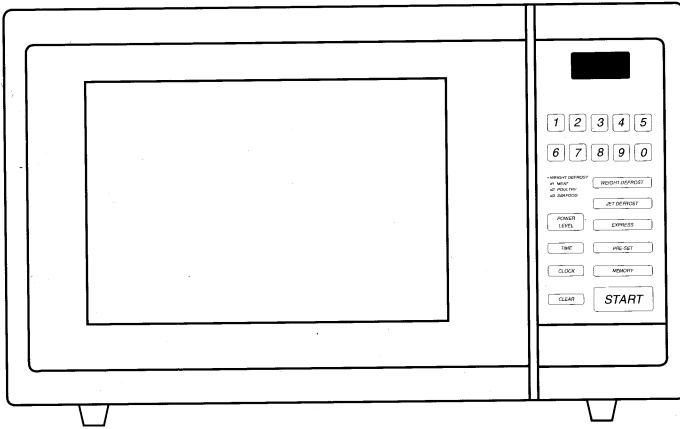


CONIA

Microwave Oven

This owner's guide book is for the following 750 Watts microwave oven models:

WP 750A



1. READ these instructions carefully before installing and operating the oven. Keep them for further reference.
2. Record in the space below the MODEL NO. and the SERIAL NO. found on the nameplate on your oven and retain this information for future reference.

MODEL NO.

SERIAL NO.

Then complete the registration card which is attached to the warranty card, and return it

YOU ARE REQUIRED TO PRESENT YOUR BILL OF SALE WHEN REQUESTING WARRANTY REPAIRS.

- CONTENTS -

INSTALLATION	1
SPECIFICATIONS	2
BEFORE YOU CALL FOR SERVICE	2
RADIO INTERFERENCE	2
IMPORTANT INSTRUCTIONS	3
SAFETY INSTRUCTIONS FOR GENERAL USE	3
FEATURE DIAGRAM	4
CONTROL PANEL	5
IDENTIFYING THE OVEN CONTROLS	5
THE SPECIAL OVEN FEATURES	7
HOW TO SET THE OVEN CONTROLS	7
CARE OF YOUR MICROWAVE OVEN	9

INSTALLATION

1. Make sure all the packing materials are removed from the inside of the door.
2. Inspect the oven after unpacking for any visual damage such as:
 - Misaligned Door
 - Damaged Door
 - Damaged Door Seal
 - Dents or Holes in Door Window and Screen
 - Dents in CavityIf any of the above are visible, DO NOT use the oven
3. This Microwave Oven weighs 15.6 kg and must be placed on a horizontal surface strong enough to support this weight.
4. The oven must be placed away from high temperature and steam.
5. DO NOT place anything on top of the oven.
6. Keep the oven at least 8 cm away from both sidewalls and 10 cm away from rear wall to ensure the correct ventilation.
7. DO NOT remove the turntable drive shaft.
8. As with any appliance, close supervision is necessary when used by children.

WARNING - THIS APPLIANCE MUST BE EARTHED.

1. The power cord is 1.4m long, the plug socket should be within easy reach of this cord.
2. This oven requires 1.20 KVA for its input.
consultation with service engineer is suggested when installing the oven.

CAUTION: This oven is protected internally by a 250V,8 Amp Fuse.

IMPORTANT

WP750A

The wires in this mains lead are coloured in accordance with the following code:

Green-and-yellow	:	Earth
Blue	:	Neutral
Brown	:	Live

As the colours of the wires in the mains leads of this appliance may not correspond with the coloured markings identifying the terminals in your plug, proceed as follows:

The wire which is coloured green-and-yellow must be connected to the terminal in the plug which is marked with the letter E or by the earth symbol \perp coloured green or green-and-yellow.

The wire which is coloured blue must be connected to the terminal which is marked with the letter N or coloured black.

The wire which is coloured brown must be connected to the terminal which is marked with the letter L or coloured red.

SPECIFICATIONS

Power Consumption	:	240V~ 50Hz, 1200W
Output	:	750W
Operating Frequency	:	2,450MHz
Outside Dimensions	:	305mm(H) x 508mm(W) x 390mm(D)
Oven Cavity Dimensions	:	215mm(H) x 350mm(W) x 330mm(D)
Oven Capacity	:	23 litres
Cooking Uniformity	:	Turntable system { Ø 314mm }
Uncrated Weight	:	Approx. 15.6 kg

BEFORE YOU CALL FOR SERVICE

1. If the oven will not perform at all, the display does not appear or the display disappears:
 - a) Check to ensure that the oven is plugged in securely. If it is not, remove the plug from the outlet, wait 10 seconds and plug it in again securely.
 - b) Check the premises for a blown circuit fuse or a tripped main circuit breaker. If these seem to be operating properly, test the outlet with another appliance.
2. If the microwave power will not function:
 - a) Check to see that the control panel is programmed correctly and that the timer is set.
 - b) Check to make sure that the door is securely closed to engage the safety interlocks. Otherwise, the microwave energy will not flow into the oven.
 - c) Check to see that the "CHILD PROOF LOCK" is not lit on the display. If the lock is set, release by touching pads ⑤ and ⑦ simultaneously. Refer to page 8.

IF NONE OF THE ABOVE RECTIFY THE SITUATION, THEN CONTACT THE NEAREST AUTHORIZED SERVICE AGENT WITH QUALIFIED TECHNICIAN. DO NOT TRY TO ADJUST OR REPAIR THE OVEN YOURSELF.

RADIO INTERFERENCE

Microwave ovens may cause interference to your radio, TV, or similar equipment. When interference occurs, it may be eliminated or reduced by the following procedures.

- a. Clean the door and sealing surface of the oven.
- b. Place the radio, TV, etc. as far away from your microwave oven as possible.
- c. Use a properly installed antenna for your radio, TV, etc. to get a strong signal reception.

IMPORTANT INSTRUCTIONS

WARNING-To reduce the risk of burns, electric shock, fire, injury to persons or excessive microwave energy:

1. Read all instructions before using microwave oven
2. Some products such as whole eggs and sealed containers - (for example, closed glass jars and sealed baby bottles with teat) may explode and should not be heated in microwave oven.
3. Use this microwave oven only for its intended use as described in this manual.
4. As with any appliance, close supervision is necessary when used by children.
5. Do not operate this microwave oven, if it is not working properly, or if it has been damaged or dropped.
6. To reduce the risk of fire in the oven cavity:
 - (a) Do not overcook food. Carefully attend microwave oven if paper, plastic, or other combustible materials are placed inside the oven to facilitate cooking.
 - (b) Remove wire twist-ties from bags before placing bag in oven.
 - (c) If materials inside the oven should ignite, keep oven door closed, turn oven off at the wall switch, or shut off power at the fuse or circuit breaker panel.

SAFETY INSTRUCTIONS FOR GENERAL USE

Listed below are, as with all appliances, certain rules to follow and safeguards to assure top performance from this oven:

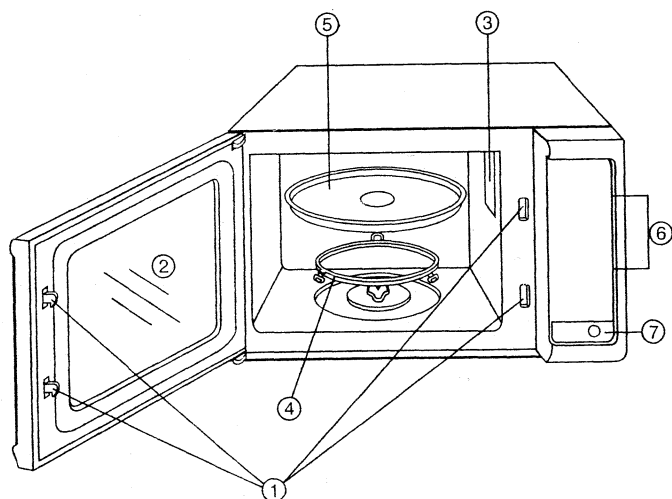
1. Always have the glass tray, roller arms, coupling and roller track in place when operating the oven.
2. Do not use the oven for any reason other than food preparation, such as for drying clothes, paper, or any other nonfood items, or for sterilizing purposes.
3. Do not operate the oven when empty. This could damage the oven.
4. Do not use the oven cavity for any type of storage, such as papers, cookbooks, live plants, etc. without first piercing several times with a fork.
5. Do not use the oven for home canning. Microwave ovens are not designed to permit proper canning. Improperly canned food may spoil and be dangerous to consume.
6. Do not cook eggs in the shell, as they will burst. Puncture egg yolks, egg white before cooking to prevent "explosion". Occasionally a poached egg may burst during cooking. Be sure to cook covered and let stand one minute after cooking before removing the cover.
7. Do not cook any food surrounded by a membrane, such as egg yolks, potatoes, chicken livers, etc. without first piercing several times with a fork.
8. Do not insert any object into the openings on the outer case.
9. Do not at any time remove parts from the oven such as the feet, coupling, screws, etc.
10. Do not cook foods directly on the glass tray. Place food in/on proper cooking utensil before placing in the oven.
11. IMPORTANT - COOKWARE NOT TO USE IN YOUR MICROWAVE OVEN
 - Do not use metal pans or dishes with metal handles.
 - Do not use anything with metal trim.
 - Do not use paper covered wire twist - ties on plastic bags.
 - Do not use melamine dishes as they contain a material which will absorb microwave energy. This may cause the dishes to crack or char and will slow down the cooking speed.
 - Do not use burnable container such as paper, wooden, bamboo, willow container.

- Do not use Centura Tableware. The glaze is not suitable for microwave use. Corelle Livingware closed handle cups should not be used.
 - Do not cook in a container with a restricted opening, such as a soft drink bottle or salad oil bottle, as they may explode if heated in a microwave oven.
 - Do not use conventional meat or candy thermometers. There are the thermometers available specifically for microwave cooking. These may be used.
12. Microwave utensils should be used only in accordance with manufacturer's instructions.
 13. Do not attempt to deep-fry foods in this oven.
 14. Please remember that a microwave oven only heats the liquid in a container rather than the container itself. Therefore, even though the lid of a container is not hot to the touch when removed from the oven, please remember that the food/liquid inside will be releasing the same amount of steam and/or spitting when the lid is removed as in conventional cooking.
 15. Always test the temperature of cooked food

yourself especially if you are heating or cooking food/liquid for babies. It is advisable never to consume food/liquid straight from the oven but allow it to stand for a few minutes and stir food/liq-uid to distribute heat evenly.

16. Food containing a mixture of fat and water, e. g. stork, should stand for 30 - 60 seconds in the oven after it has been turned off. This is to allow the mixture to settle and to prevent bubbling when a spoon is placed in the food/liquid or a stock cube is added.
17. Always following the cooking instructions when preparing/cooking food/liquid and remember that there are certain foods, e. g. Christmas puddings, jam and mincemeat, which heat up very quickly. When heating or cooking foods with a high fat or sugar content do not use plastic containers.
18. Cooking utensils may become hot because of heat transferred from the heated food. This is especially true if plastic wrap has been covering the top and handles of the utensil. Potholders may be needed to handle the utensil.

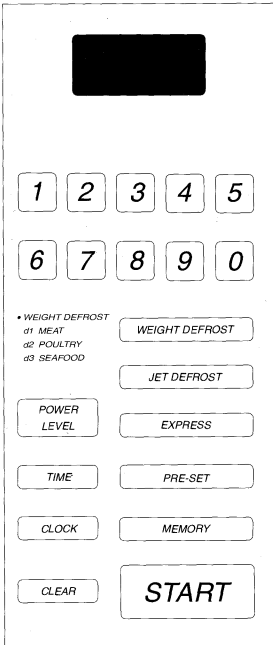
FEATURE DIAGRAM



- ① Door Safety Lock System
- ② Oven Window
- ③ Oven Air Vent
- ④ Roller Ring
- ⑤ Glass Tray
- ⑥ Control Panel
- ⑦ Door Release Button

CONTROL PANEL

Follow the applicable instructions for operation and control, which are given in "HOW TO SET THE OVEN CONTROLS".



FEATUES

CLOCK

PRE-SET

JET DEFROST

WEIGHT DEFROST

TIME COOKING & POWER LEVEL

EXPRESS

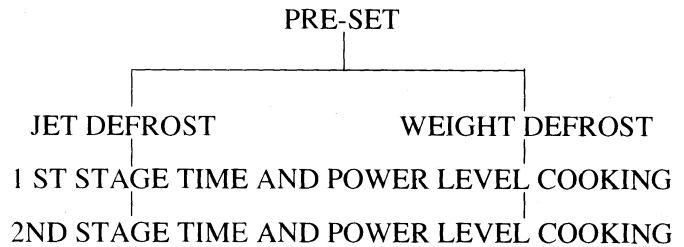
SPECIAL FEATURES

MINUTE TIMER

AUTO REMINDER

CHILD PROOF LOCK

PROGRAMMING COMBINATION



IDENTIFYING THE OVEN CONTROLS

NUMERAL PADS (1, 2.....9, 0)

- Use to enter the numbers, when setting the time, power level, etc.

POWER LEVEL

- Use to set the power level.
- This oven has 10 power levels. The power level selections are from 10% to 100% of power output.
- The oven automatically cooks on power level "10" (High Power) unless it is set for a lower power level.
- To check power level during cooking, touch POWER LEVEL pad. The selected power level will appear in the display window for 5 seconds. The oven will continue to operate. After 5 seconds the remaining time will be displayed.

- This chart shows the amount of wattage at each power level.

<u>POWER LEVEL</u>	<u>%of POWER OUTPUT</u>	<u>APPROXIMATE WATTAGE</u>
10	(100%)	750
9	(90%)	675
8	(80%)	600
7	(70%)	525
6	(60%)	450
5	(50%)	375
4	(40%)	300
3	(30%)	225
2	(20%)	150
1	(10%)	75
0	Minute Timer	0

TIME

- Use to set cooking time.
- Allows you to set up to 99 minutes and 99 seconds.

CLOCK

- Use to set the time of day or recall the time of day.
- The time of day will be displayed at all times except when the oven is operating.
- In the event of a power failure or if the oven is unplugged, the clock will have to be reset.

CLEAR

- Touch to cancel the selected power level, cook or defrost times previously programmed. The time of day clock is not cancelled.

START

- Touch to start the defrost or cook programs. The cook indicator light and the oven light will come on and the cooling fan will operate.

NOTE: END OF OPERATION-

Timer returns to "0".

- Three beeps will sound, the cook indicator light will go out and the time of day will return to the display window. The oven light and cooking fan will turn off.
- The oven will automatically continue to sound three beeps every two minutes until the oven door is opened or the CLEAR pad is touched.

NOTE: TO INTERRUPT OPERATION-

Open the oven door.

- The oven immediately stops, however, the light will remain on.
- If no further cooking is required, touch the CLEAR pad.
- To continue cooking, close the oven door and touch the START pad. The oven will restart.

JET DEFROST

- Use to defrost frozen foods by time.
- This cycle starts at medium - high power, then automatically reduces to medium - low and then to low as the food thaws.

- JET DEFROST indicator light and cook indicator light will both come on during the defrost cycle.

WEIGHT DEFROST

- Use to defrost frozen meat, poultry and seafood by weight.
- The defrosting time and power levels are automatically set once the food category and the weight are programmed.

NOTE: The maximum allowable weight for each category is shown below.

WEIGHT DEFROST PROGRAM	FOOD CATEGORY	MAXIMUM WEIGHT	DISPLAY
1	Meat	2.3kg	d1
2	Poultry	4.0kg	d2
3	Seafood	0.9kg	d3

- For foods exceeding these maximum weights, use the JET DEFROST program.
- If you program weights in excess of the maximum recommended, the oven will not operate properly.

EXPRESS

- Use this feature to program the oven for 4 popular microwave timings.
- With each touch of the EXPRESS key you can program the oven for:
 - 15seconds - TOUCH ONCE
 - 30seconds - TOUCH TWICE
 - 1minute - TOUCH THREE TIMES
 - 2minutes - TOUCH FOUR TIMES
- The oven will operate at full power (POWER LEVEL 10) for EXPRESS programs.

PRE - SET

- Use to set the oven to come on at a later time.
- The clock must be set before the pre - set function can be programmed.
- The Pre - set indicator blinks while the oven is in the PRE - SET position.

MEMORY

- When programming the oven to cook by time, use the MEMORY PAD when setting both a 1st AND 2nd cooking stage.
- The respective lights will come on to indicate which stage the oven is operating in.

SPECIAL OVEN FEATURES

MINUTE TIMER

- Use for timing things done outside the oven. Three beeps will sound at the end of the elapsed time. The oven light and cooling fan will come on while the timer is operating but there are no microwaves present.

AUTO REMINDER

- After a DEFROST or COOK PROGRAM has completed, the oven will automatically continue to sound three beeps every two

minutes until the oven door is opened or the clear pad is touched.

CHILD PROOF LOCK

- Use to prevent unsupervised operation of the oven by small children. The CHILD PROOF LOCK indicator will be lit on the display and the oven cannot be operated while the CHILD PROOF LOCK is set.

HOW TO SET THE OVEN CONTROLS

Each time a pad is touched, a beep will sound to verify the touch.

SETTING THE CLOCK

Example: 3 o'clock 45 minutes

- Step 1. • Touch CLOCK pad
2. • Touch CLEAR pad
 3. • Touch numeral pads ③ ④ ⑤
 4. • Touch CLOCK pad again

The two dots between the hour and the minutes will flash every other second.

Note: When the oven was plugged in, "1: 01" should have appeared in the display window.

To reset the time of day, repeat the steps given above.

To check the time of day while the oven is operating, touch the CLOCK pad and the time will be displayed for 5 seconds.

TIME AND POWER LEVEL COOKING

Example: Set the oven to cook for 1 minute at power level 6.

- Step 1. • Touch TIME pad
- Touch numeral pads ① ① ①
2. • Touch POWER LEVEL pad
 - Touch numeral pad ⑥
 3. • Touch START pad

Note: Step 2 is not necessary for cooking at power level 10 (High Power).

PRE - SET

Example: Set the oven to come on at 2:00 o'clock.

- Step 1. • Touch PRE - SET pad
2. • Touch numeral pads ② ① ①
 3. • Set the cooking programs
 4. • Touch STAPT pad and the oven will start cooking at 2 : 00.

Note: Be sure the time of day clock is set at the correct time before programming PRE - SET.

EXPRESS

Example: Set the oven to cook for 1 : 00 at HIGH power using the EXPRESS feature.

- Step 1. • Touch the EXPRESS pad 3 times. 1 : 00 appears in the display.
2. • Touch START pad

Note: Touch EXPRESS pad:

- 1time for 15 sec.
- 2times for 30 sec.
- 3times for 1 : 00 min.
- 4times for 2 : 00 min.

JET DEFROST

Example: Set the oven to JET DEFROST for 5 minutes and 30 seconds.

- Step 1. • Touch JET DEFROST pad
2. • Touch numeral pads ⑤ ③ ①
 3. • Touch START pad
- Use JET DEFROST to defrost foods that are not included in the WEIGHT DEFROST categories, or when the weight exceeds the maximum recommendations for WEIGHT DEFROST.

WEIGHT DEFROST

Example: Set the oven to WEIGHT DEFROST 600g shrimp.

- Step: 1. • Touch WEIGHT DEFROST pad 3 times. "d3" will appear in the display.
2. • Touch numeral pads ⑥ ① ①
 3. • Touch START pad.

Note 1: See Page 6 for Maximum Weight and Category Program.

Note 2: The oven will beep twice during the WEIGHT DEFROST program. This will take place at approximately one third and two thirds into the program. Foods should be attended at this time. Rearrange, shield, turn over or remove any pieces that may be defrosting more quickly than others.

PROGRAM COOKING

The oven has the ability to be programmed to do several consecutive functions that are given in the SPECIFICATION TABLE, and either the complete program or part of it can be used.

Remember:
Always touch the " CLEAR "pad before programming.

TIME COOKING PROGRAM

- Step 1. • Touch CLEAR pad
2. • Repeat the Jet Defrost instructions
 3. • Repeat the Time and Power Level instructions
 4. • Touch MEMORY pad
 5. • Repeat the Time and Power Level instructions again
 6. • Touch START pad

Remember: JET DEFROST and WEIGHT DEFROST can only be selected before the cooking stage in a program. It can not be selected between or after stage 1 or stage 2.

CHILD PROOF LOCK

To set the CHILD PROOF LOCK

- Step 1. • Touch CLEAR pad
2. • Touch pads ⑤ & ⑦ at the same time. A beep will sound and the CHILD PROOF indicator will light.

You can not operate the oven while the CHILD PROOF LOCK is set.

To release the CHILD PROOF LOCK

- Step 1. • Touch pads ⑤ & ⑦ at the same time. A beep will sound and the CHILD PROOF indicator will go out.

Note: Remember the oven can not be operated when the CHILD PROOF LOCK is set. If the oven will not operate, before calling for service check to see if the CHILD PROOF LOCK indicator is lit on the display.

MINUTE TIMER

- Step 1. • Touch TIME pad
2. • Touch numeral-pads to set the desired time.
 3. • Touch POWER LEVEL pad
 4. • Touch numeral pad ①
 5. • Touch START pad

CARE OF YOUR MICROWAVE OVEN

1. Turn the oven off and remove the power plug from the wall socket before cleaning.
2. Keep the inside of the oven clean. When food splatters or spilled liquids adhere to oven walls, wipe with a damp cloth. Mild detergent may be used if the oven gets very dirty. The use of harsh detergent or abrasives is not recommended.
3. The outside oven surfaces should be cleaned with a damp cloth. To prevent damage to the operating parts inside the oven, water should not be allowed to seep into the ventilation openings.
4. Wipe the door and window on both sides and the door seal frequently with a damp cloth to remove any spills and splatters.
5. Do not allow the Control Panel to become wet. Clean with a soft, damp cloth. Do not use detergents, abrasives or spray-on cleaners on the Control Panel.
When cleaning the Control Panel, leave oven door open to prevent oven from accidentally turning on.
6. If steam accumulates inside or around the outside of the oven door, wipe with a soft cloth. This may occur when the microwave oven is operated under high humidity conditions and in no way indicates malfunction of the unit.
7. It is occasionally necessary to remove the glass tray for cleaning. Wash the tray in warm sudsy water or in a dishwasher.
8. The roller ring and oven cavity floor should be cleaned regularly to avoid excessive noise. Simply wipe the bottom surface of the oven with mild detergent, water or window cleaner and dry. The roller ring may be washed in mild sudsy water or dish washer. Cooking vapours collect during repeated use but in no way affect the bottom surface or roller ring wheels.
When removing the roller ring from cavity floor for cleaning, be sure to replace in the proper position.
9. Remove odors from your oven by combining a cup of water with the juice and skin of one lemon in a deep microwavable bowl. Microwave for 5 minutes. Wipe thoroughly and dry with a soft cloth.
10. When it becomes necessary to replace the oven light, please consult a dealer to have it replaced.