

(E) IDE HARD DISK CONTROLLER (CN3)

PIN	SIGNAL NAME
1	RESET
17	HD0
15	HD1
13	HD2
11	HD3
9	HD4
7	HD5
5	HD6
3	HD7
4	HD8
6	HD9
8	HD10
10	HD11
12	HD12
14	HD13
16	HD14
18	HD15
23	HIOW
25	HIOR
27	IOCRDY
28	HALE
31	IRQBUS
32	IOCS16
35	HA0
33	HA1
36	HA2
37	HCS0
38	HCS1
39	SLV ACT
20, 29, 34	UNUSED
2, 19, 21, 22,	GROUND
24, 26, 30, 40	GROUND

(F) JUMPER SETTING OF SERIAL PORT

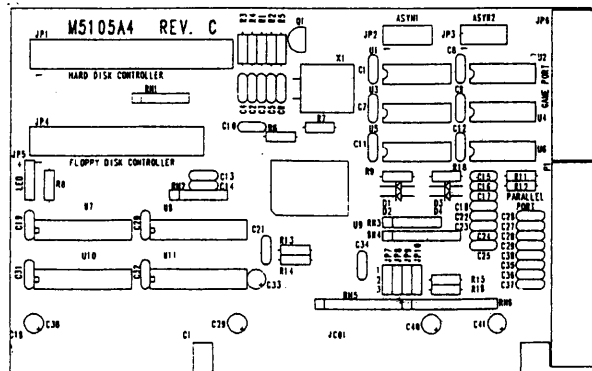
JP7	JP8	ASYN1	ASYN2
1-2	2-3	COM2	COM1
2-3	2-3	COM1	COM4
1-2	1-2	COM4	COM3
2-3	1-2	COM2	COM3

COM1 : 3F8 COM3 : 3E8
COM2 : 2F8 COM4 : 2E8

(G) JUMPER SETTING OF PARALLEL PORT

JP9	JP10	P1
1-2	1-2	Parallel port at LPT2(378-37A)
2-3	1-2	Parallel port at LPT1(3BC-3BE)
1-2	2-3	Parallel port at LPT3(278-27A)
2-3	2-3	Parallel port disabled

(F) SILK SCREEN



Remark : IBM PC/AT is registered trademark of International Business Machines Corporation.

The above information represents the best of our knowledge. We may have erroneous information and we reserve the right to change the specification without prior notice.

EX-5105(A4)

SUPER I/O CARD

USER'S MANUAL

1. INTRODUCTION

The EX5105 SUPER I/O CARD is the most advanced controller card built-in with both AT I/O and IDE/FDD functions. It offers enhanced performance and compact in size while retaining a high degree of compatibility with your IBM PC/AT and compatible system.

2. FEATURES

- TWO SERIAL PORTS (ASYN1,ASYN2)
- ONE PARALLEL PORT (LPT1,LPT2,LPT3)
- ONE GAME PORT
- ONE FDD PORT (CONNECT TWO FLOPPY DISK DRIVES,360/1.2/720/1.44)
- ONE AT BUS HDD PORT (CONNECT 20,40,80,100,200MB HDD)
- AT SIXTEEN BIT SLOT

3. CHECKLIST

- YOUR EX5105 CONTROLLER CARD CONTAINS THE FOLLOWING:
- EX5105 SUPER I/O CARD
 - USER'S MANUAL
 - TWO 10 TO 25 WAYS INTERFACE CABLE FOR (ASYN1,ASYN2)
 - 34 WAYS FLAT CABLE FOR FDD
 - 40 WAYS FLAT CABLE FOR IDE

4. INSTALLATION PROCEDURE

- A. SWITCH OFF ALL POWER OF YOUR SYSTEM INCLUDING ANY CONNECTED PERIPHERALS.
- B. REMOVE THE COVER OF YOUR SYSTEM AND THE SCREW OF A BRACKET FROM ANY 16 BITS EMPTY SLOT.
- C. CAREFULLY SET THE JUMPER OF EX5105 CARD INTO THE EMPTY SLOT AS MENTIONED IN (B) AND LINE UP THE ADAPTER WITH THE SCREW HOLE IN THE REAR PLATE OF YOUR SYSTEM.
- D. SCREW THE BRACKET TO FIX THE EX5105 CARD AND CONNECT THE SIGNAL CABLES WITH THE ADAPTER AND THE EXTERNAL DEVICES TO BE CONNECTED.
- E. REPLACE YOUR SYSTEM COVER AND THE INSTALLATION PROCEDURE IS NOW COMPLETED.

5. JUMPER SETTINGS

JP5-HDD LED

6. PIN ASSIGNMENT OF PORTS

(A) PARALLEL PRINTER PORT (PRT)

LINE NAME	DB-25 (FEMALE) CONNECTOR PIN	IBM MATRIX PRINTER
STROBE (-)	1	1
D0	2	2
D1	3	3
D2	4	4
D3	5	5
D4	6	6
D5	7	7
D6	8	8
D7	9	9
ACK (-)	10	10
BUSY	11	11
PE	12	12
SLCT	13	13
AUTOFD (-)	14	14
ERROR (-)	15	31
INIT (-)	16	32
SLCT IN (-)	17	36
GROUND	18-25	16,19-30,33
NC		15,18,34

(B) SERIAL PORT (COM1&COM2)

SIGNAL NAME	PIN NUMBER	RS-232C INTER-FACE PIN NUMBER
CN (IN)	1	8
RX (IN)	2	3
TX (OUT)	3	2
DTR (OUT)	4	20
SG	5	7
DSR (IN)	6	6
RTS (OUT)	7	4
CTS (IN)	8	5
RI (IN)	9	22

(C) GAME PORT (GAME)

PIN NUMBER	LINE NAME
2	BUTTON 4
3	POSITION 0
6	POSITION 1
7	BUTTON 5
1,8,9,15	VCC
4,5,12	GROUND
10,11,13,14	NC

(D) FLOPPY DISK CONTROLLER (CN4)

PIN	SIGNAL NAME
2	REDUCED WRITE
4	UNUSED
6	UNUSED
8	INDEX
10	MOTOR ENABLE 1
12	DRIVE SELECT 0
14	DRIVE SELECT 1
16	MOTOR ENABLE 0
18	DIRECTION SELECT
20	STEP
22	WRITE DATA
24	WRITE ENABLE
26	TRACK 0
28	WRITE PROTECT
30	READ DATA
32	HEAD 1 SELECT
34	DISKETTE CHANGE
1,3,5...33	GROUND